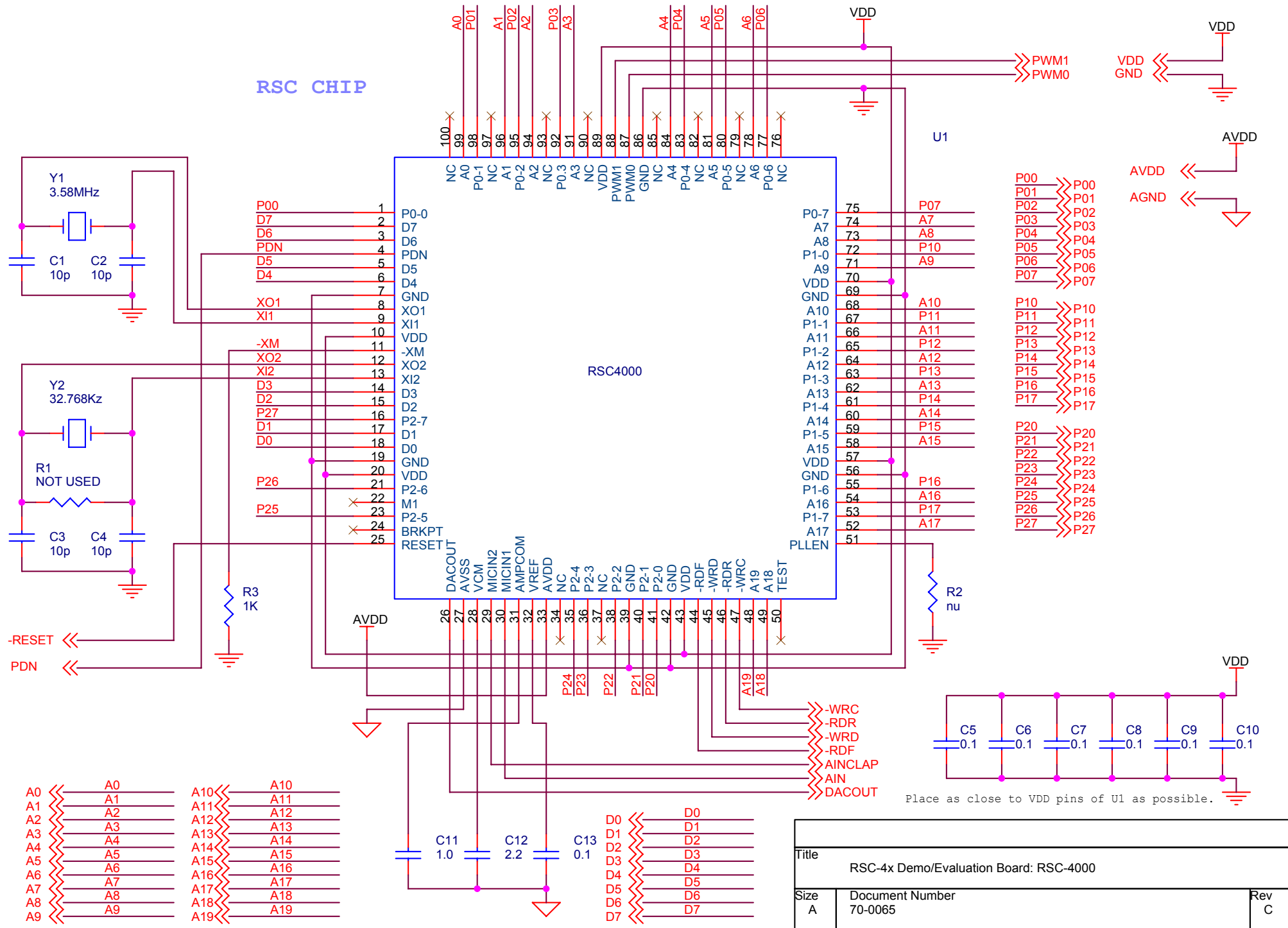
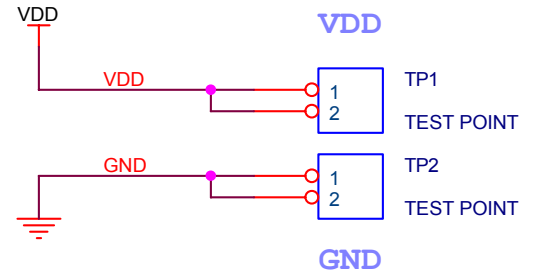
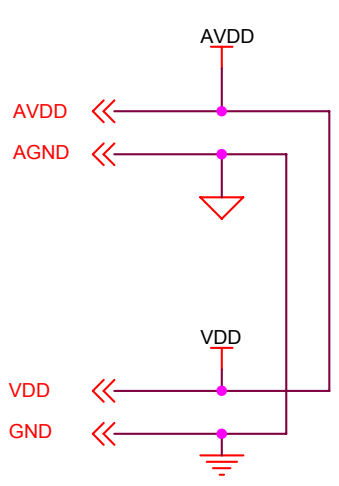
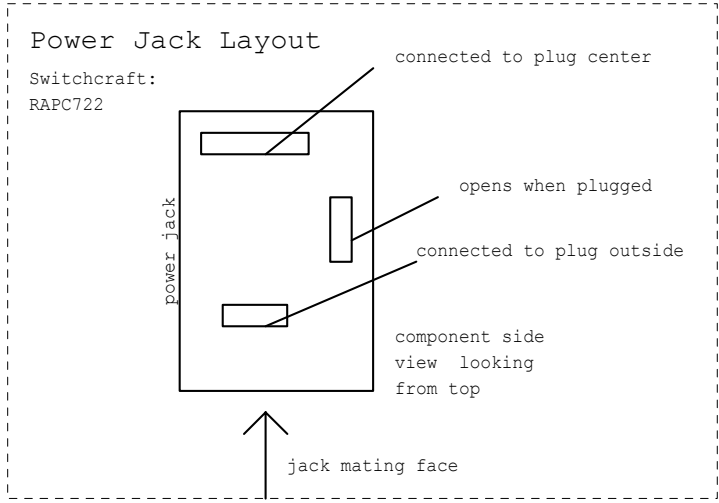
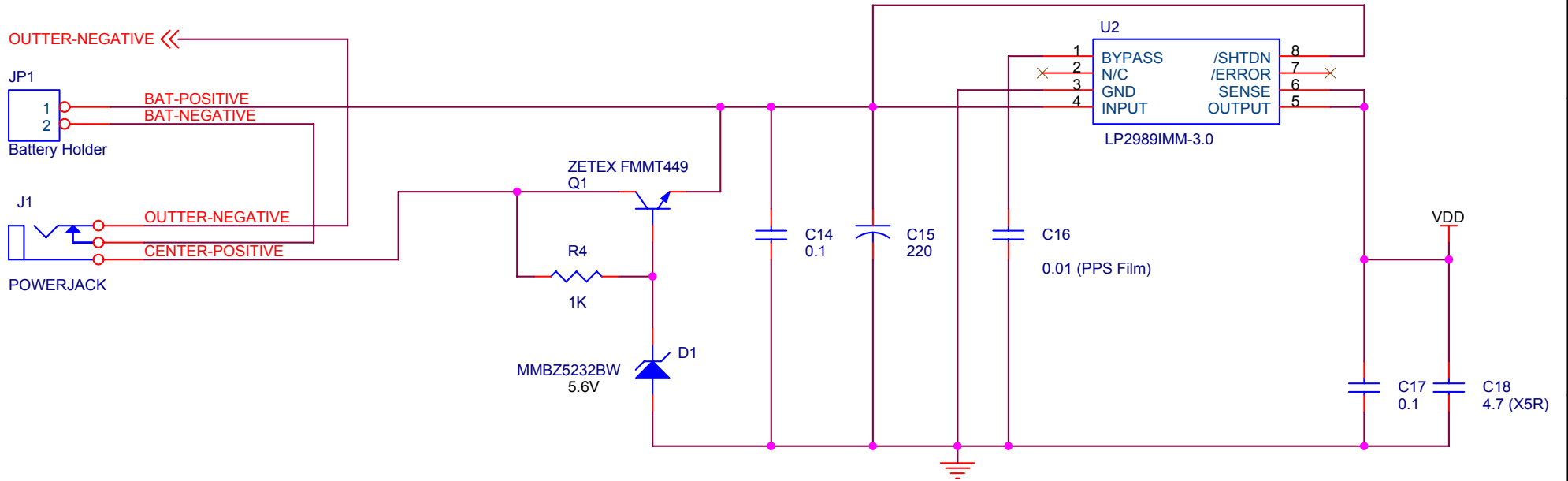


RSC CHIP

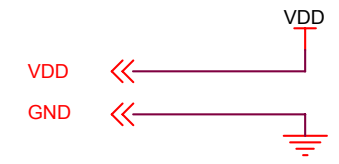
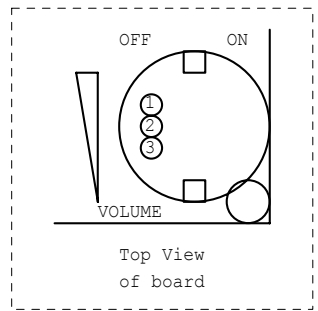
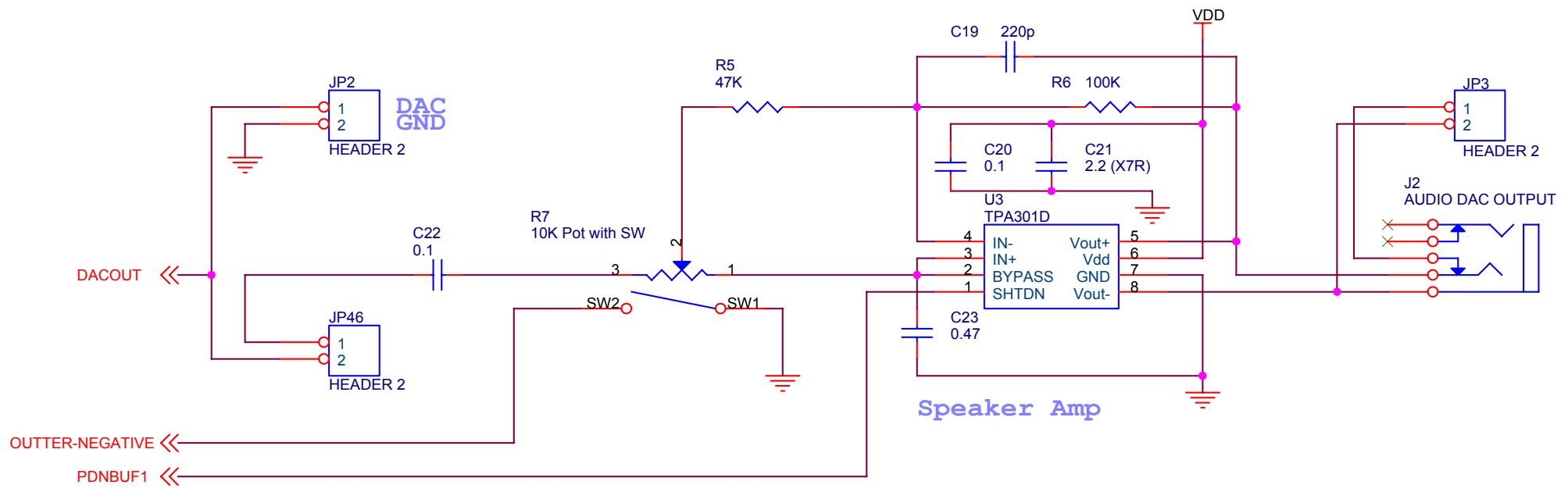


Title		
RSC-4x Demo/Evaluation Board: RSC-4000		
Size	Document Number	Rev
A	70-0065	C
Date:	Thursday, December 14, 2006	Sheet 1 of 17

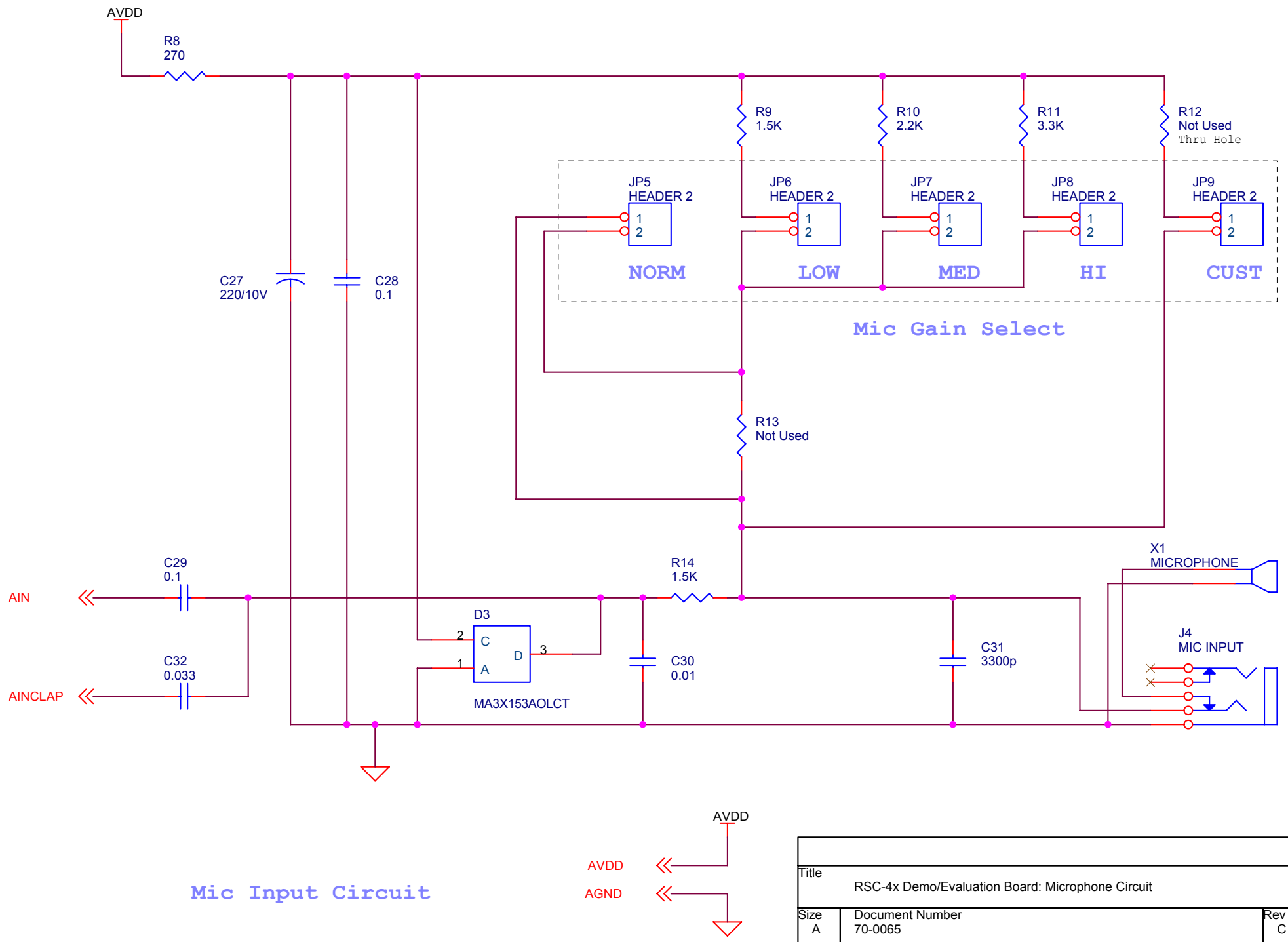
Place as close to VDD pins of U1 as possible.



Title		
RSC-4x Demo/Evaluation Board: Power Supply		
Size	Document Number	Rev
A	70-0065	C
Date:	Thursday, December 14, 2006	Sheet 2 of 17



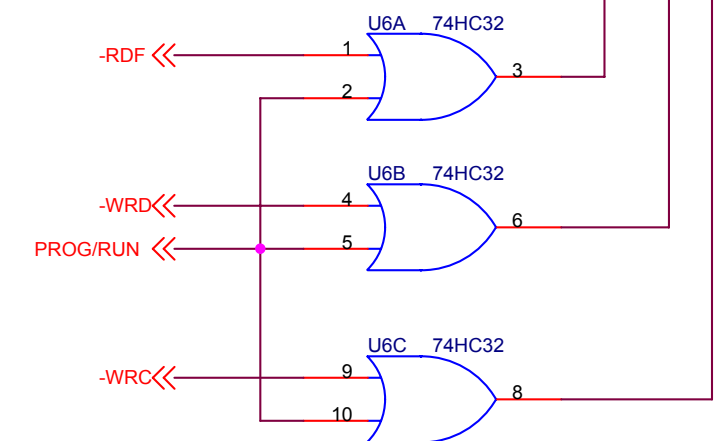
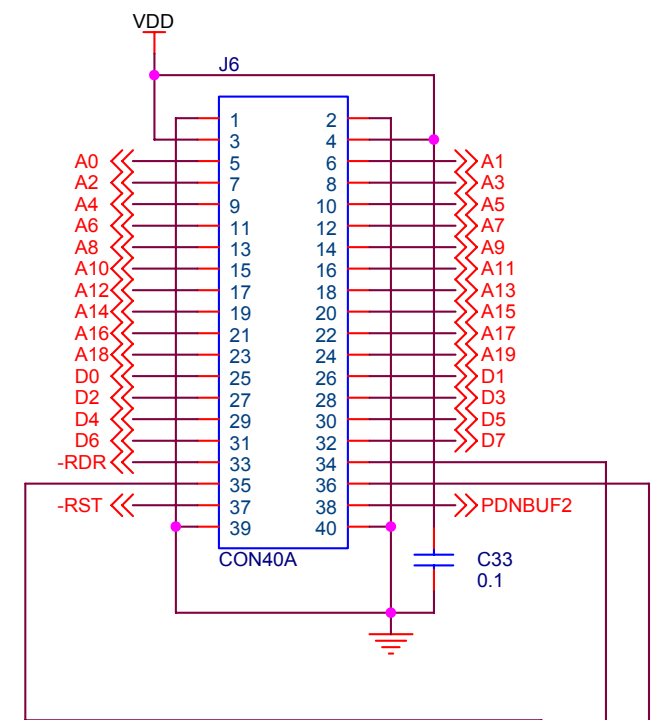
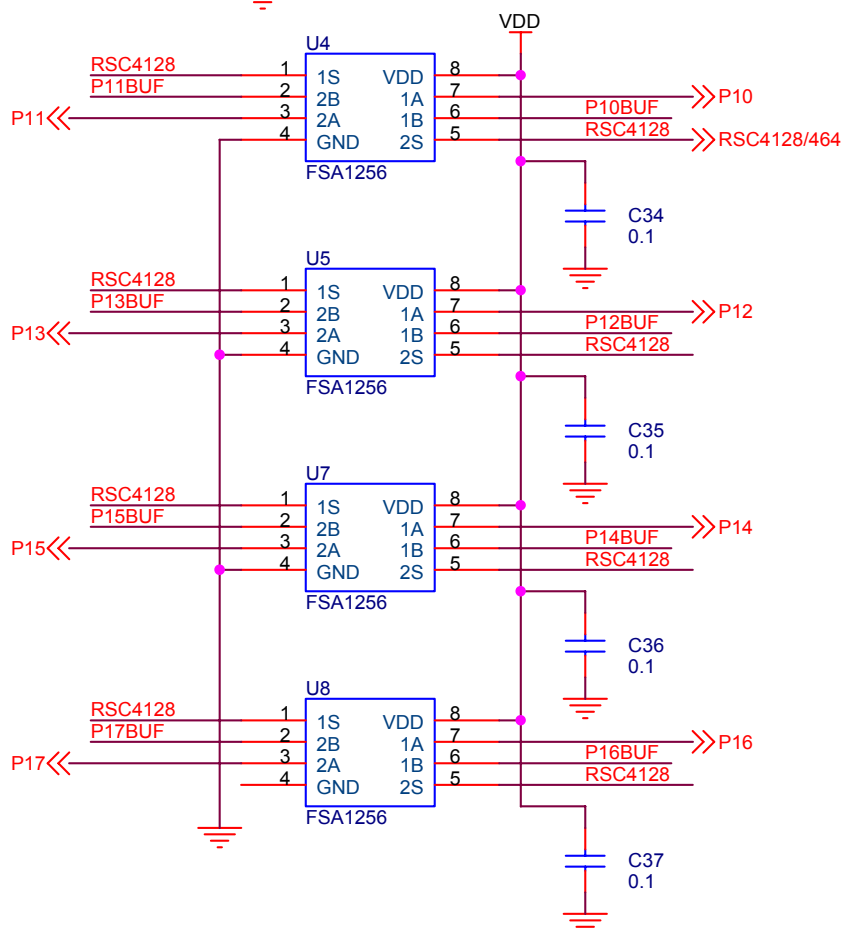
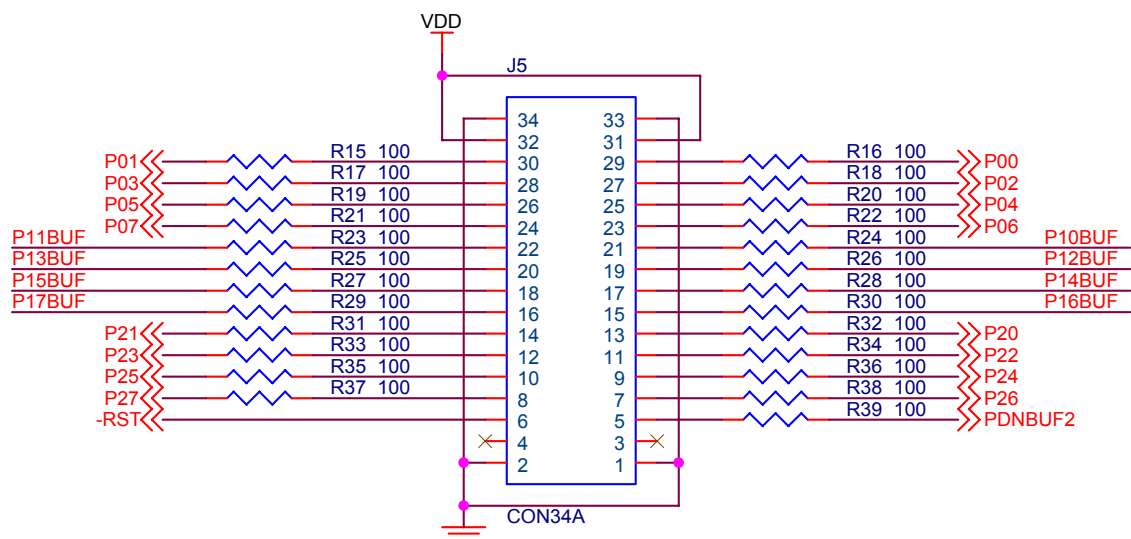
Title		
RSC-4x Demo/Evaluation Board: Audio Outputs		
Size A	Document Number 70-0065	Rev C
Date:	Thursday, December 14, 2006	Sheet 3 of 17



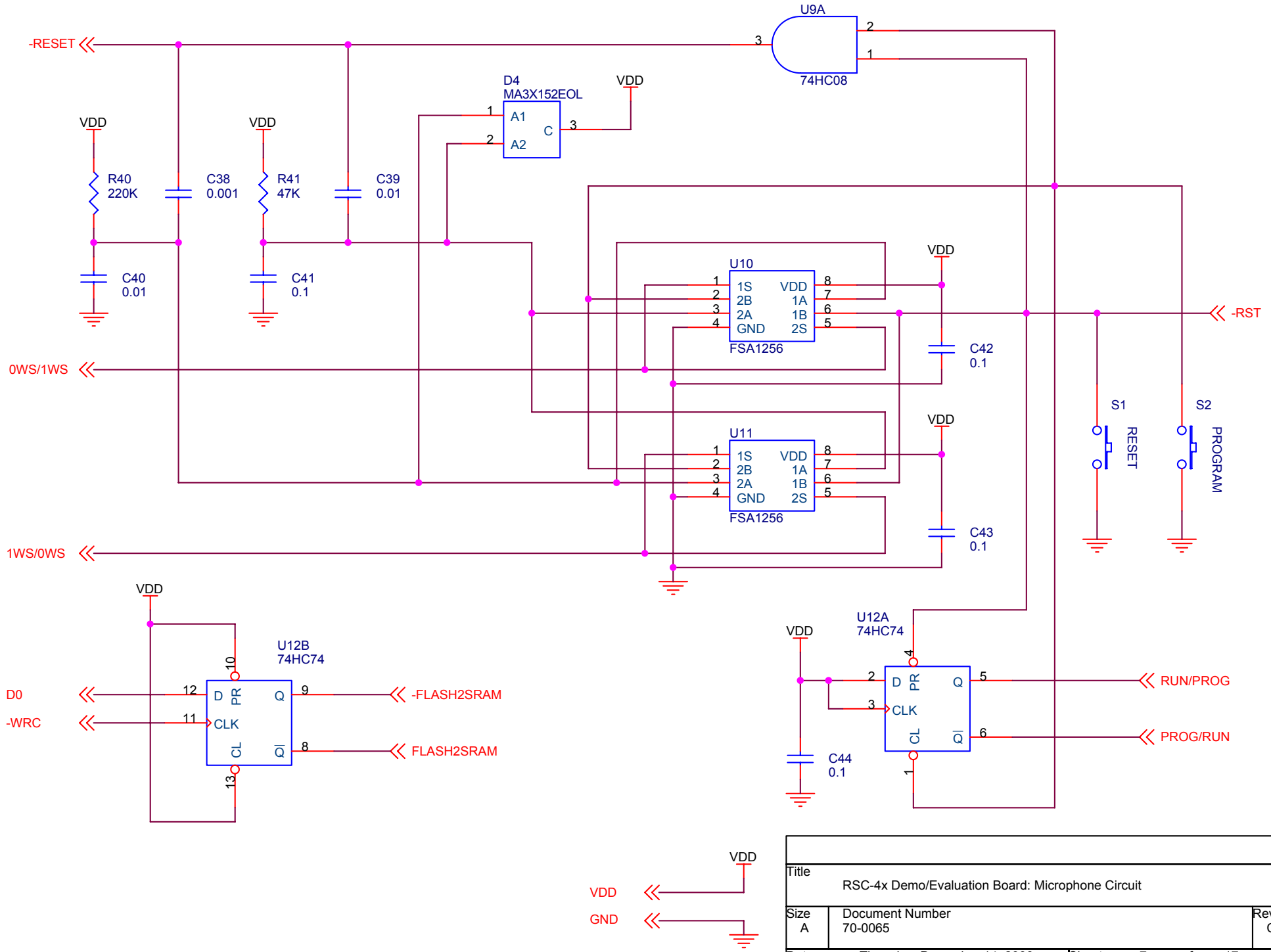
Mic Input Circuit

Mic Gain Select

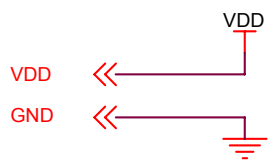
Title		
RSC-4x Demo/Evaluation Board: Microphone Circuit		
Size A	Document Number 70-0065	Rev C
Date:	Thursday, December 14, 2006	Sheet 5 of 17

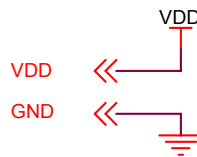
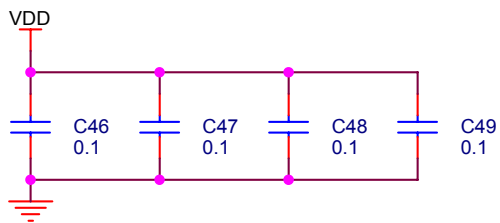
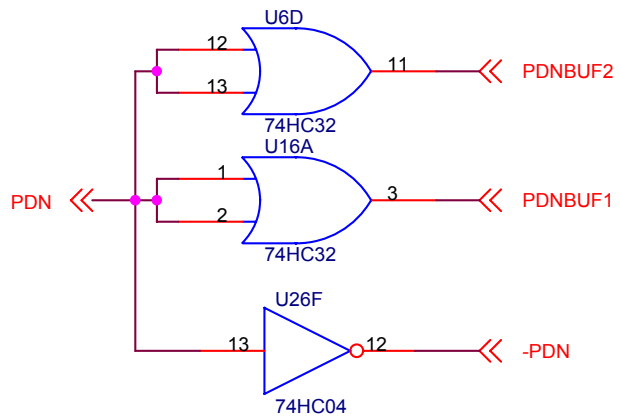
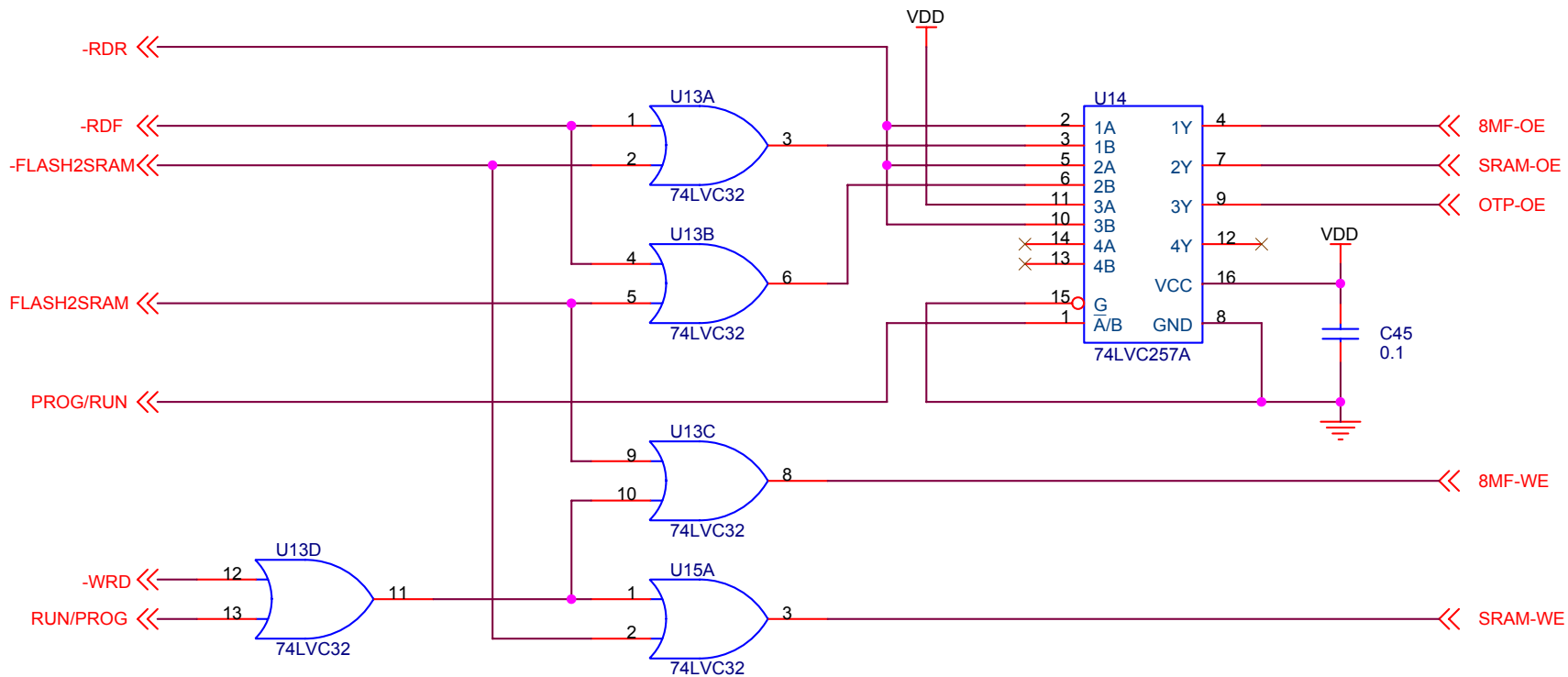


Title		
RSC-4x Demo/Evaluation Board: I/O		
Size	Document Number	Rev
A	70-0065	C
Date:	Thursday, December 14, 2006	Sheet 6 of 17

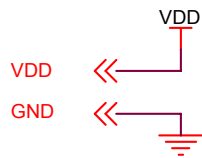
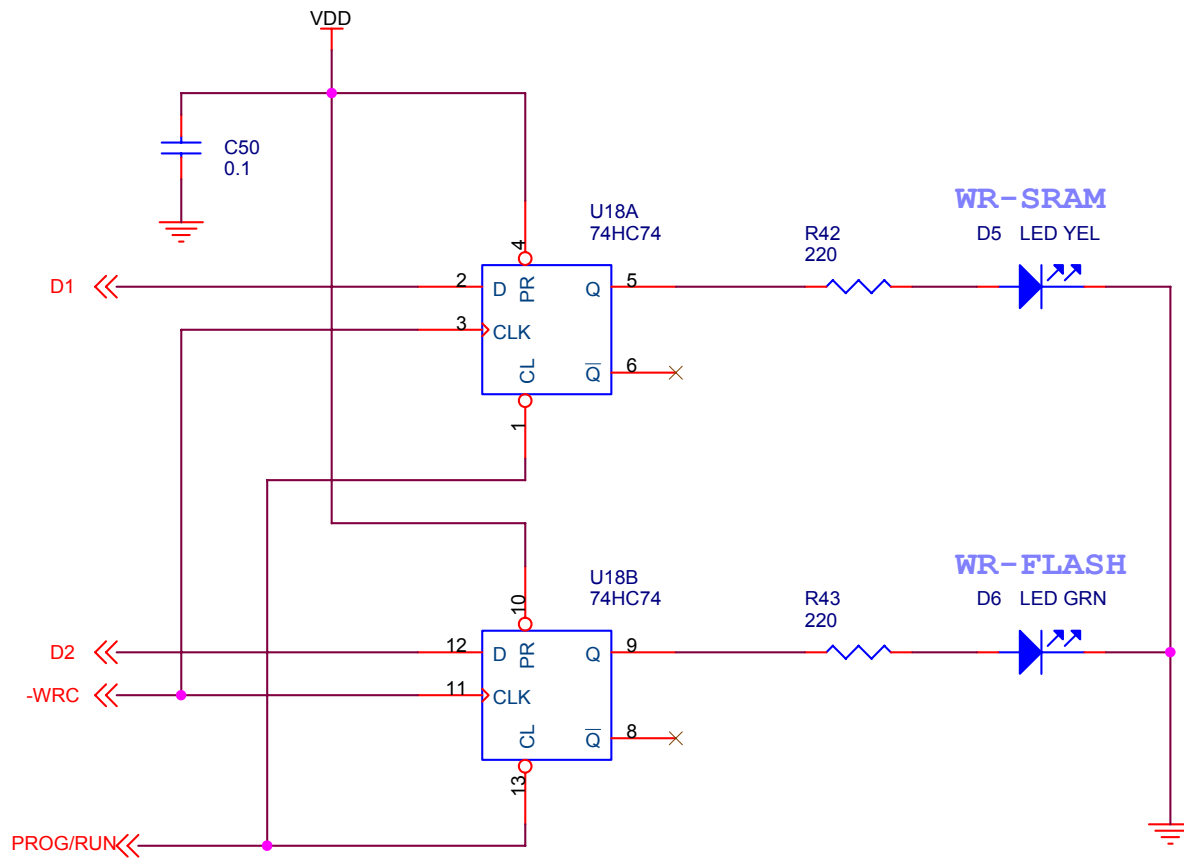


Title		
RSC-4x Demo/Evaluation Board: Microphone Circuit		
Size	Document Number	Rev
A	70-0065	C
Date:	Thursday, December 14, 2006	Sheet 7 of 17

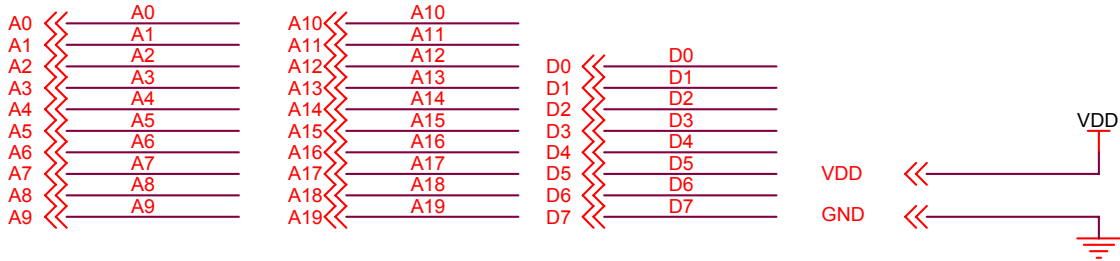
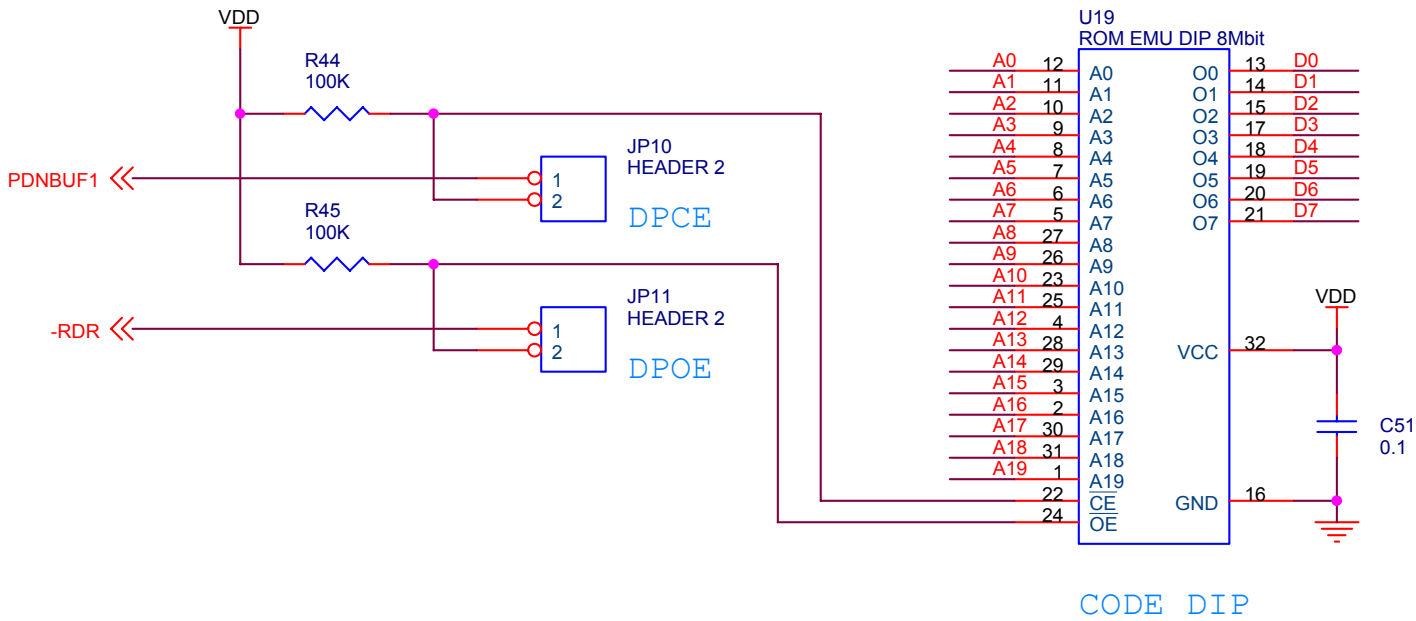




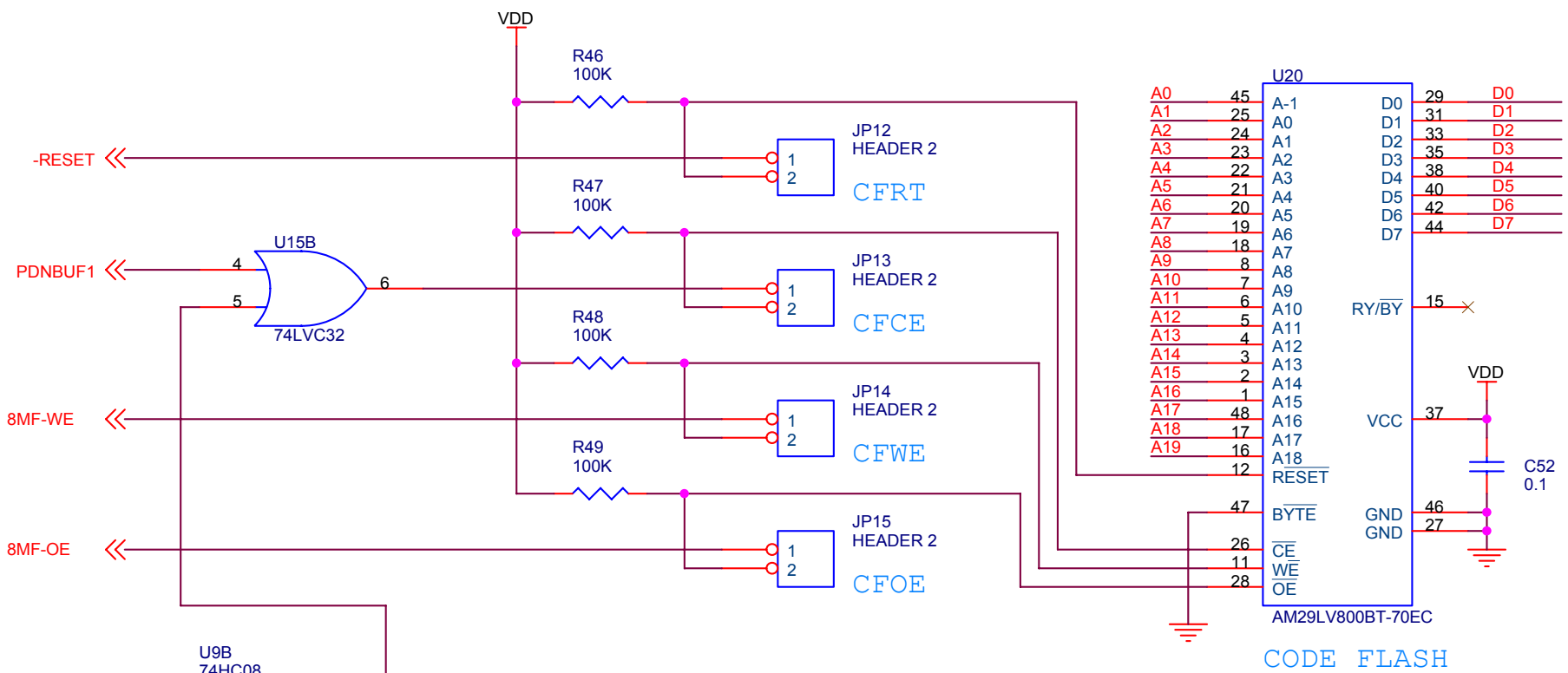
Title		
RSC-4x Demo/Evaluation Board: Control 2		
Size	Document Number	Rev
A	70-0065	C
Date:	Thursday, December 14, 2006	Sheet 8 of 17



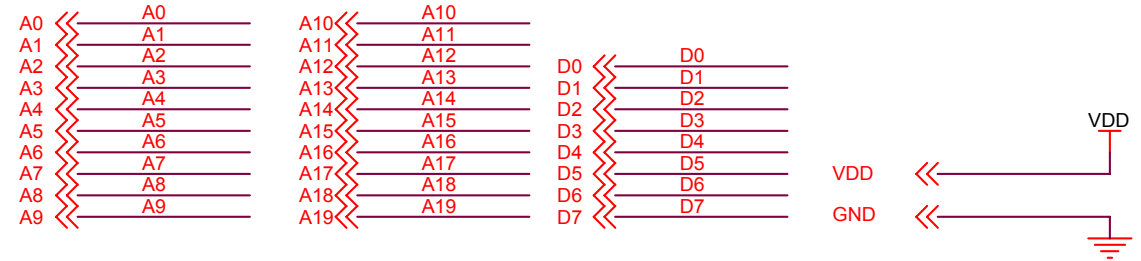
Title		
RSC-4x Demo/Evaluation Board: Control 3		
Size	Document Number	Rev
A	70-0065	C
Date:	Thursday, December 14, 2006	Sheet 9 of 17



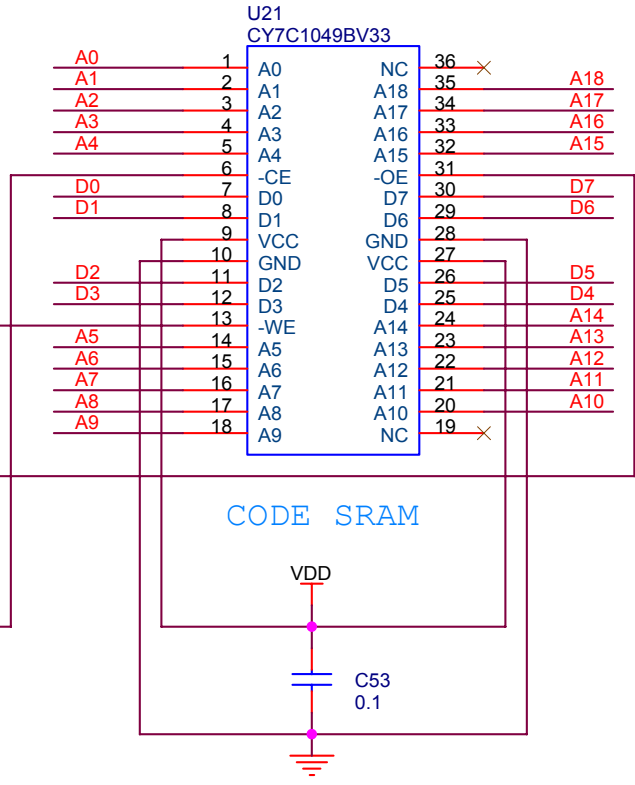
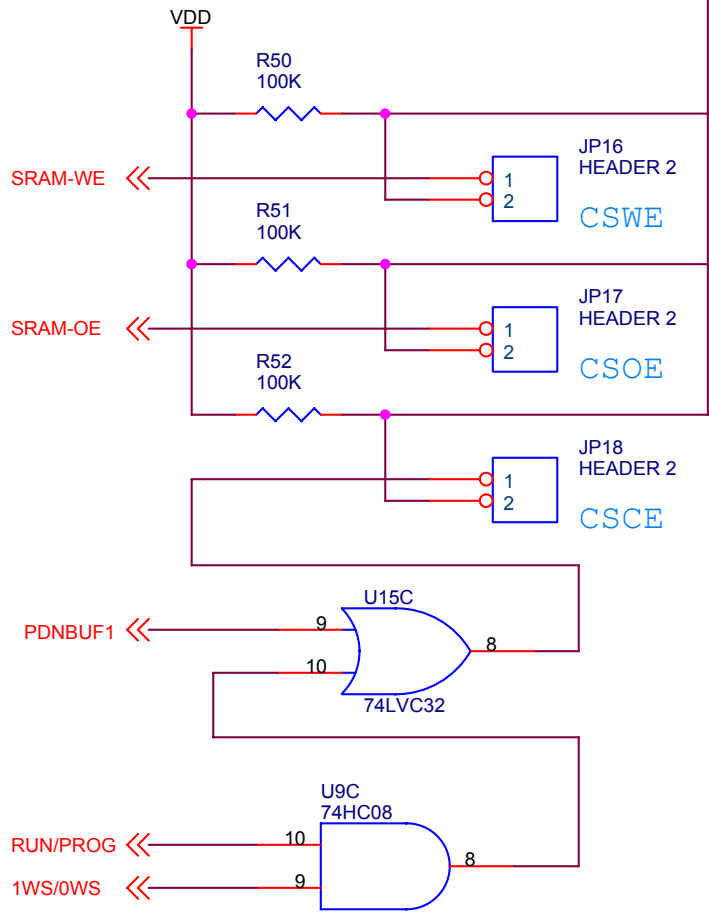
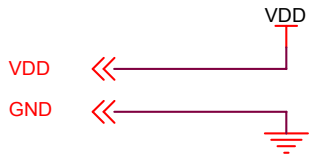
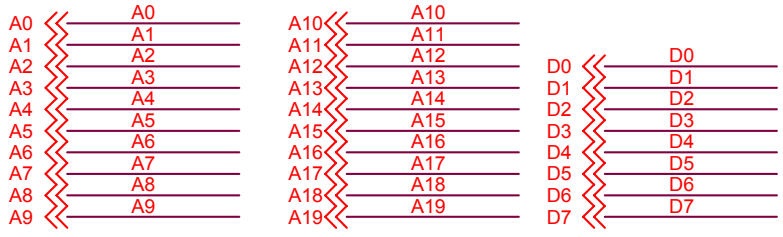
Title		
RSC-4x Demo/Evaluation Board: Memory Code DIP		
Size	Document Number	Rev
A	70-0065	C
Date:	Thursday, December 14, 2006	Sheet 10 of 17



A0	45	A-1	D0	29	D0
A1	25	A0	D1	31	D1
A2	24	A2	D2	33	D2
A3	23	A1	D3	35	D3
A4	22	A2	D4	38	D4
A5	21	A3	D5	40	D5
A6	20	A4	D6	42	D6
A7	19	A5	D7	44	D7
A8	18	A6			
A9	8	A7			
A10	7	A8			
A11	6	A9			
A12	5	A10			
A13	4	A11			
A14	3	A12			
A15	2	A13			
A16	1	A14			
A17	48	A15			
A18	17	A16			
A19	16	A17			
	12	A18			
	47	RESET			
	26	BYTE			
	11	CE			
	28	WE			
		OE			

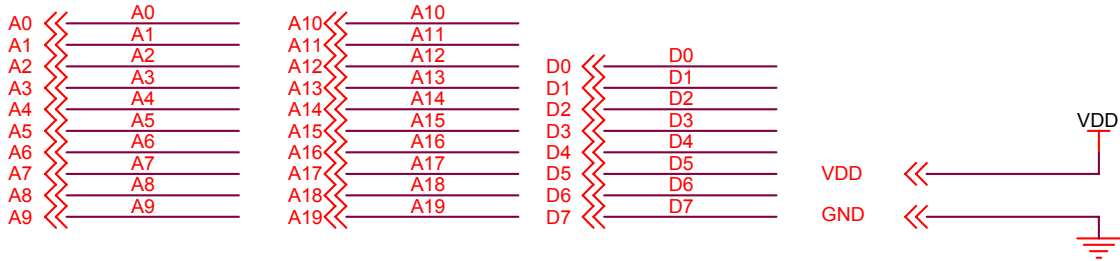
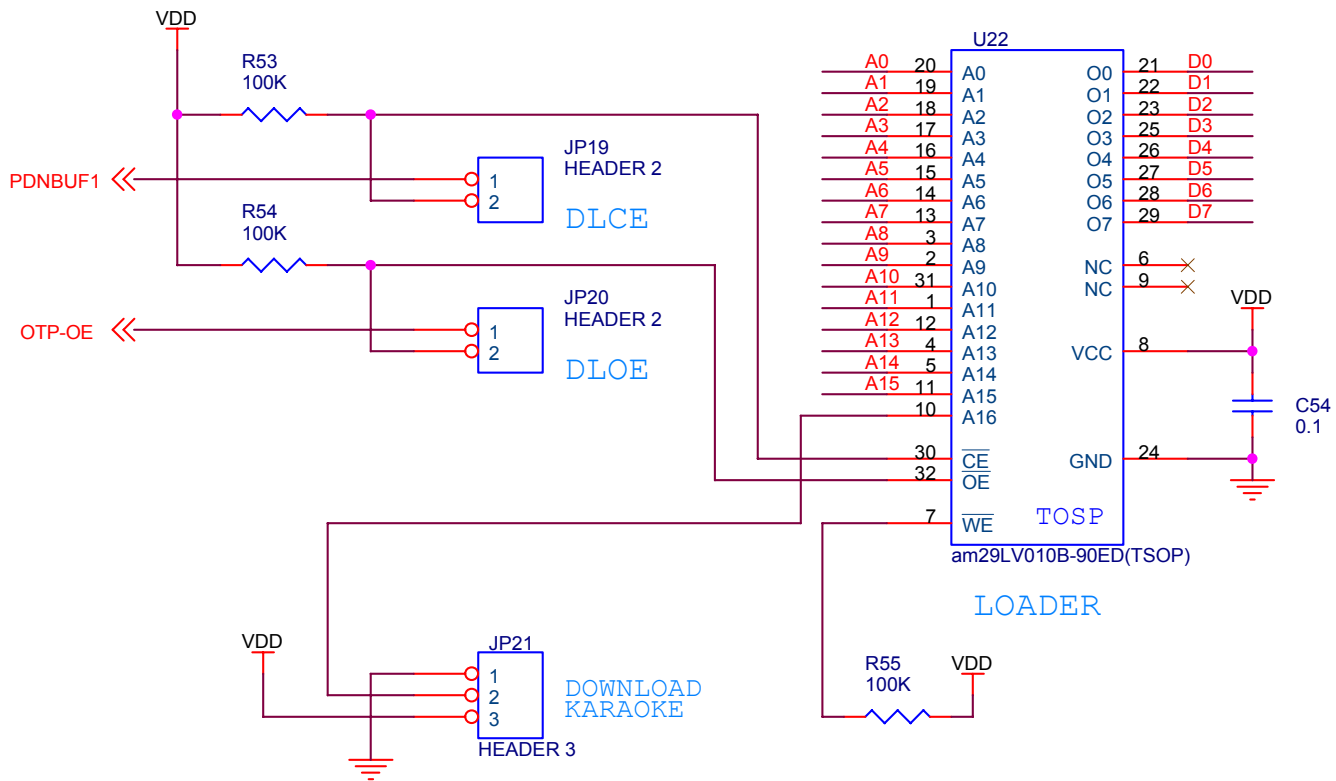


Title		
RSC-4x Demo/Evaluation Board: Memory Code Flash		
Size	Document Number	Rev
A	70-0065	C
Date:	Thursday, December 14, 2006	Sheet 11 of 17

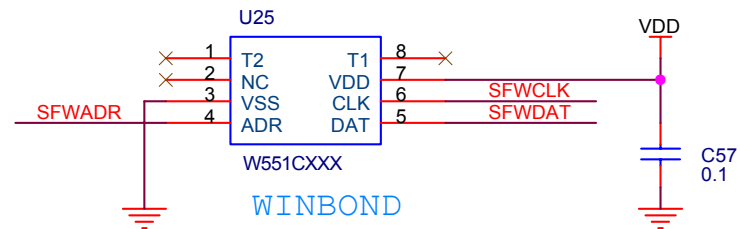
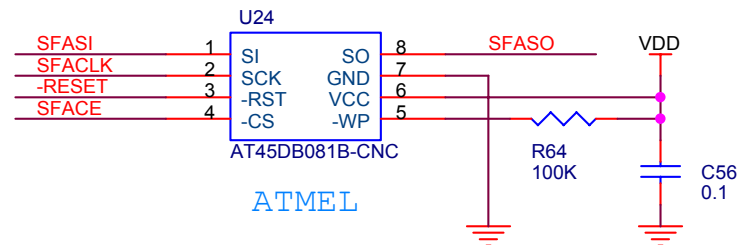
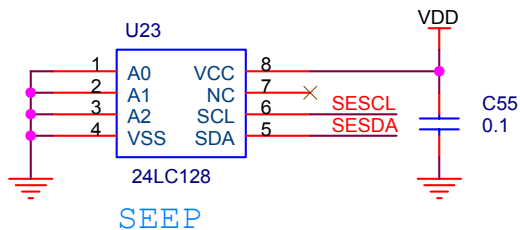
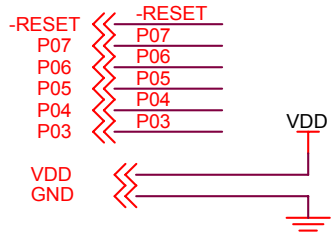
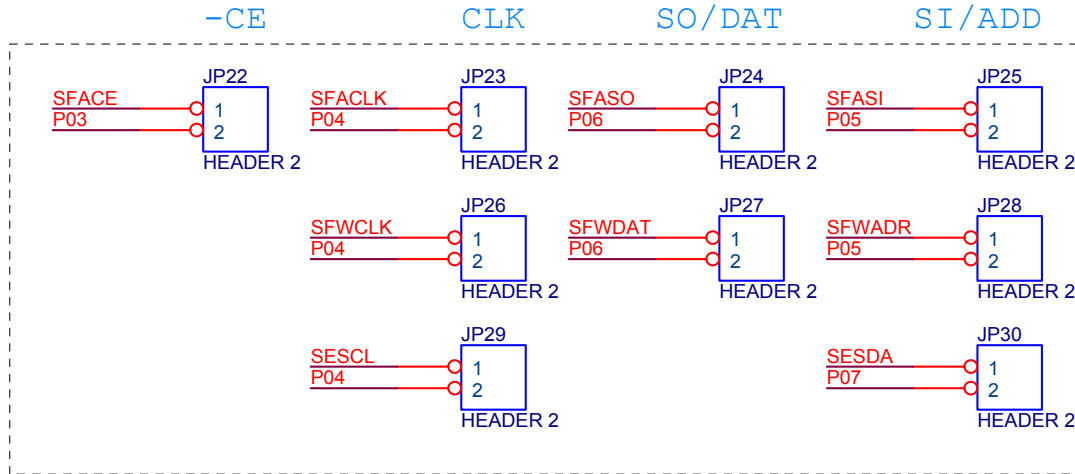
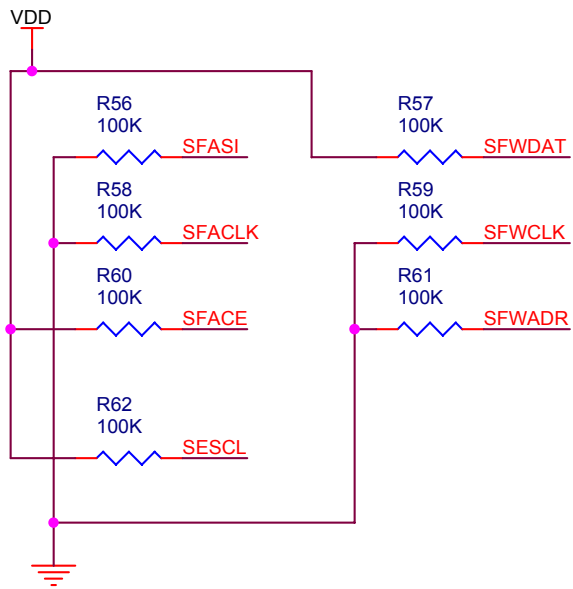


A0	1	A0	NC	36	×	A18
A1	2	A1	A18	35		A17
A2	3	A2	A17	34		A16
A3	4	A3	A16	33		A15
A4	5	A4	A15	32		
	6	A4	A15	31		
D0	7	-CE	-OE	30		D7
D1	8	D0	D7	29		D6
	9	D1	D6	28		
	10	VCC	GND	27		
D2	11	GND	VCC	26		D5
D3	12	D2	D5	25		D4
	13	D3	D4	24		A14
A5	14	-WE	A14	23		A13
A6	15	A5	A13	22		A12
A7	16	A6	A12	21		A11
A8	17	A7	A11	20		A10
A9	18	A8	A10	19	×	
		A9	NC			

Title		
RSC-4x Demo/Evaluation Board: Memory Code SRAM		
Size	Document Number	Rev
A	70-0065	C
Date:	Thursday, December 14, 2006	Sheet 12 of 17

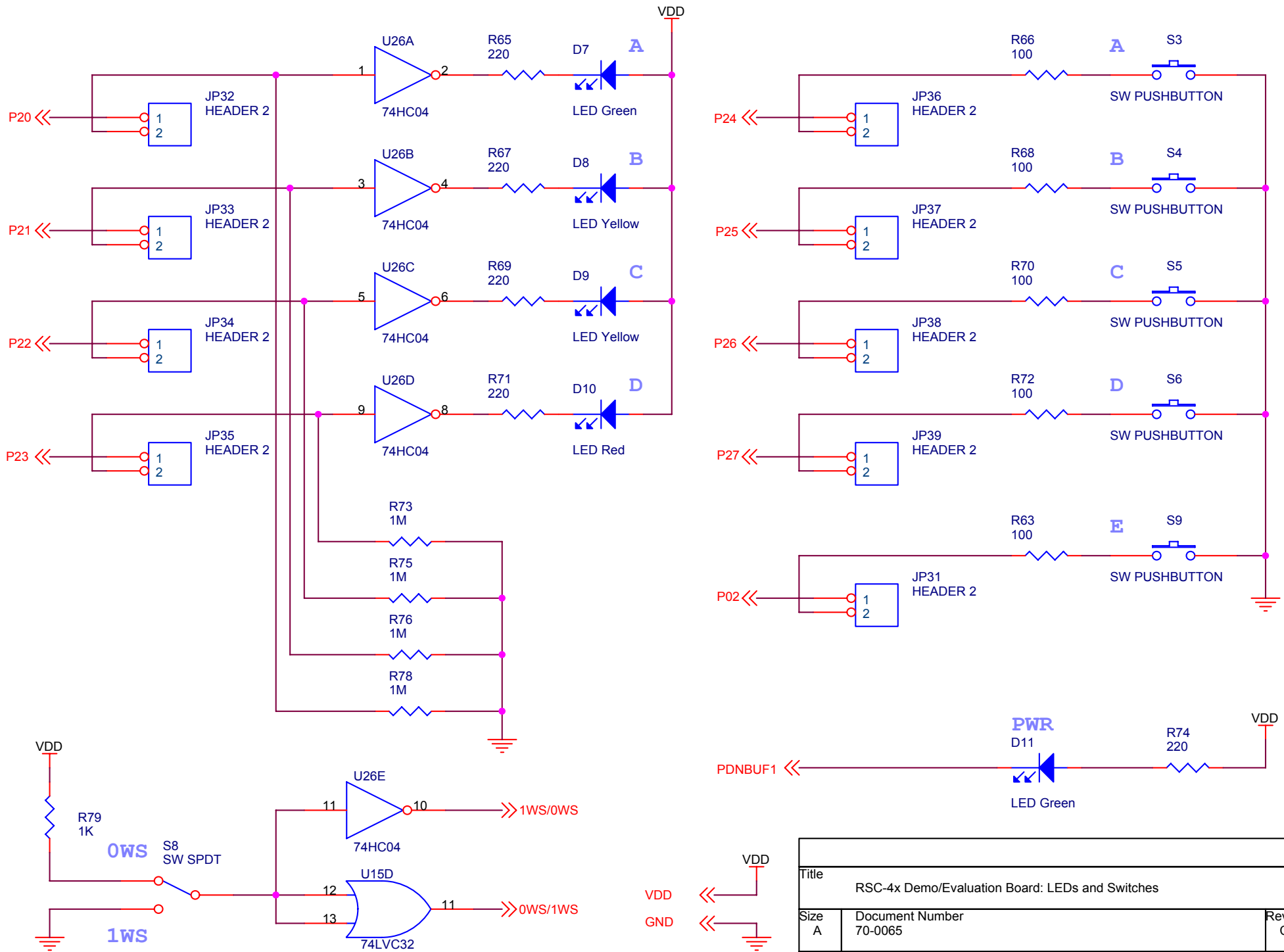


Title		
RSC-4x Demo/Evaluation Board: Memory Code Loader		
Size	Document Number	Rev
A	70-0065	C
Date:	Thursday, December 14, 2006	Sheet 13 of 17



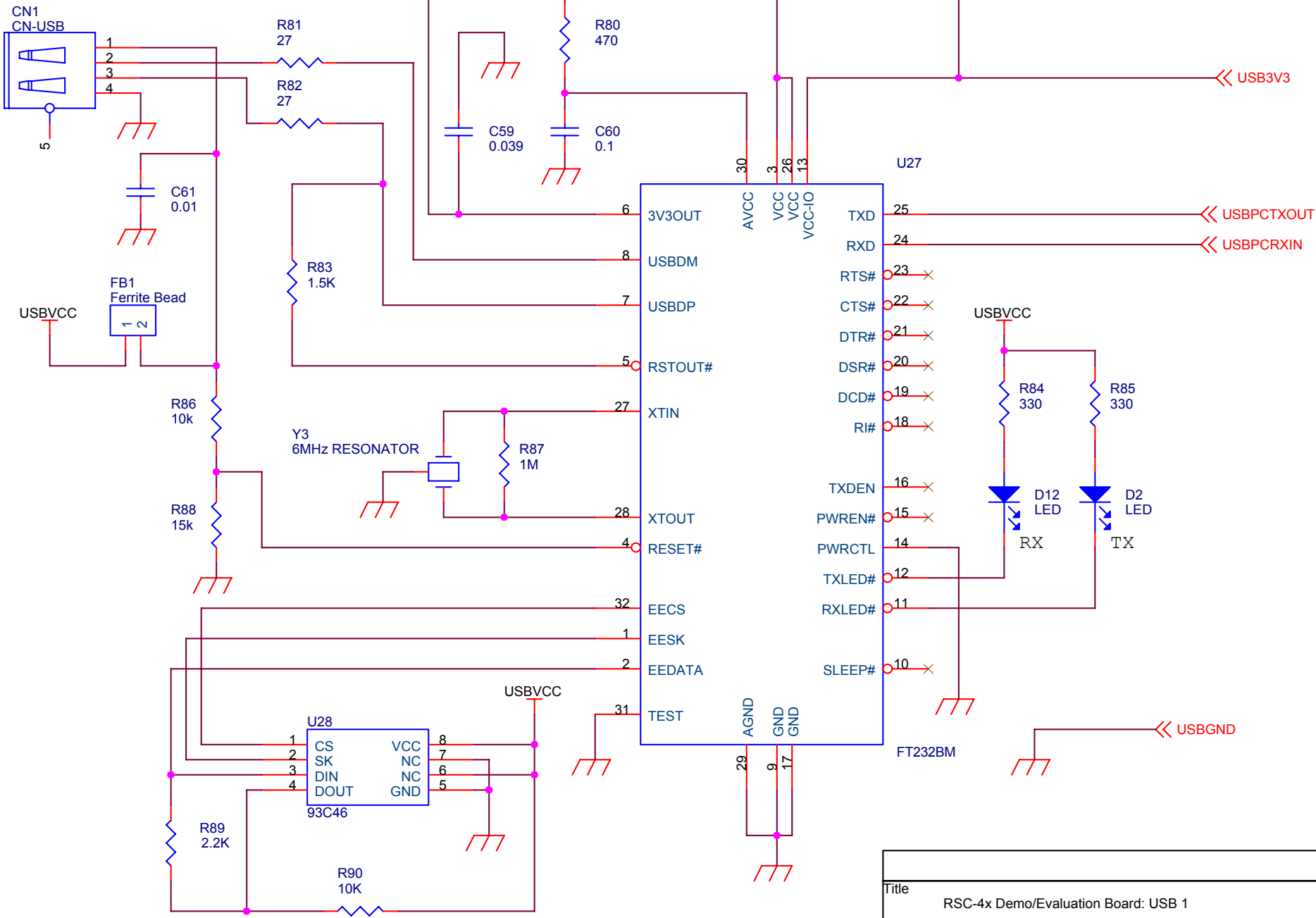
**J7, C58, JP31, R63 -
were removed**

Title		
RSC-4x Demo/Evaluation Board: Memory Serial		
Size	Document Number	Rev
A	70-0065	C
Date:	Thursday, December 14, 2006	Sheet 14 of 17



Title		
RSC-4x Demo/Evaluation Board: LEDs and Switches		
Size A	Document Number	Rev C
	70-0065	
Date:	Thursday, December 14, 2006	Sheet 15 of 17

USB



Title		
RSC-4x Demo/Evaluation Board: USB 1		
Size	Document Number	Rev
A	70-0065	C
Date:	Thursday, December 14, 2006	Sheet 16 of 17

