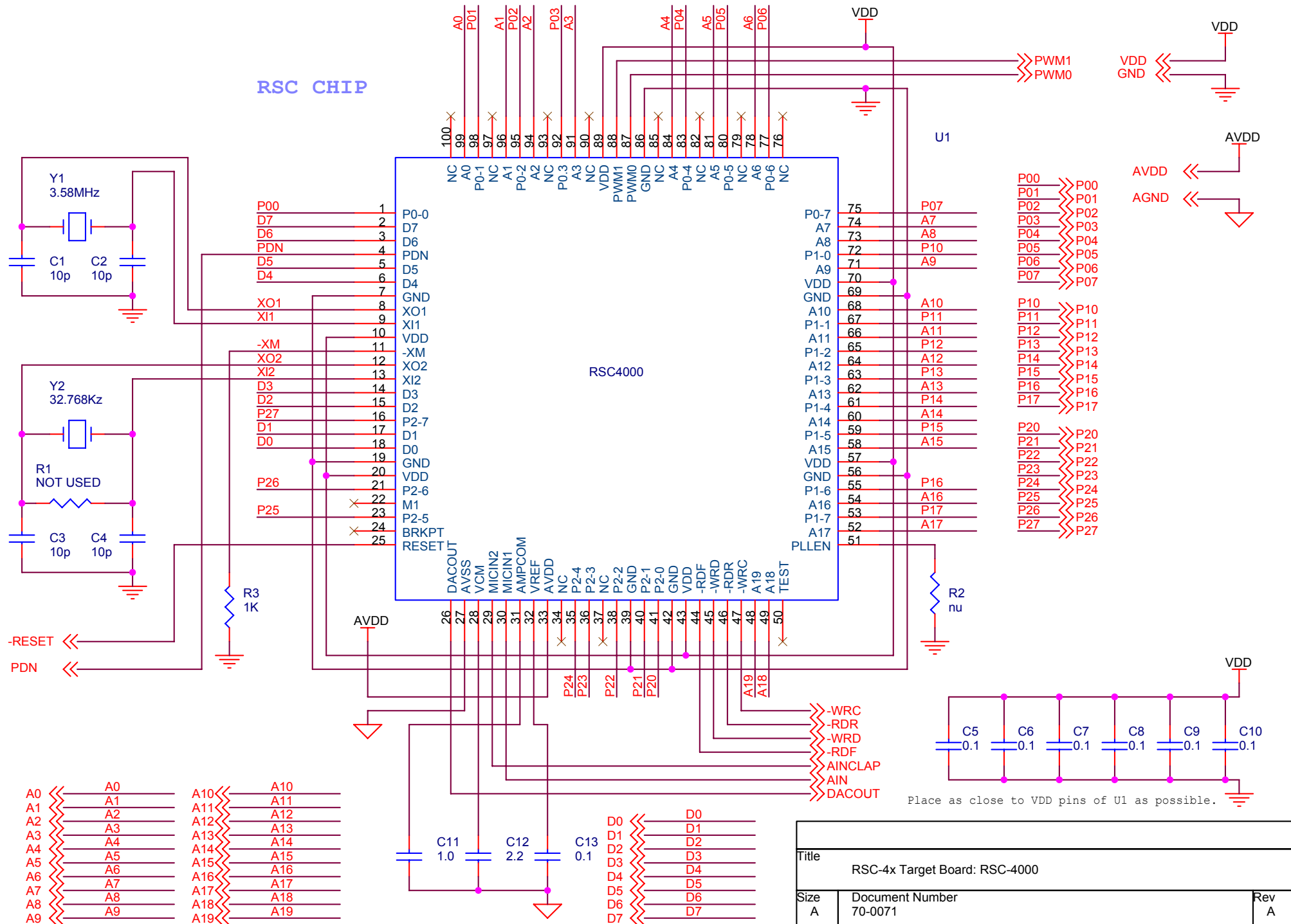
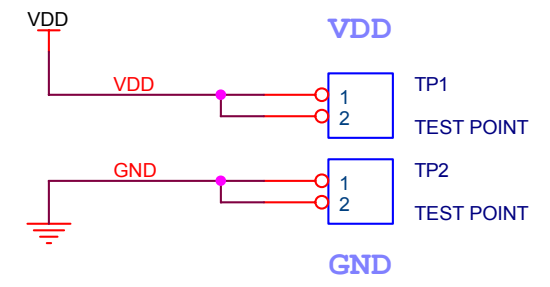
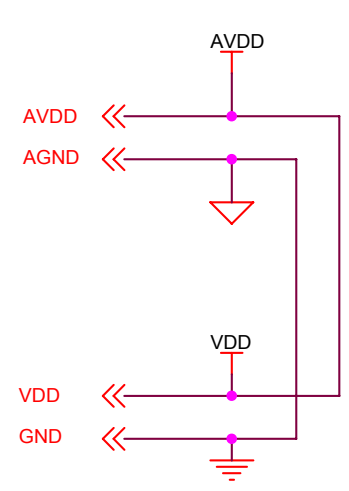
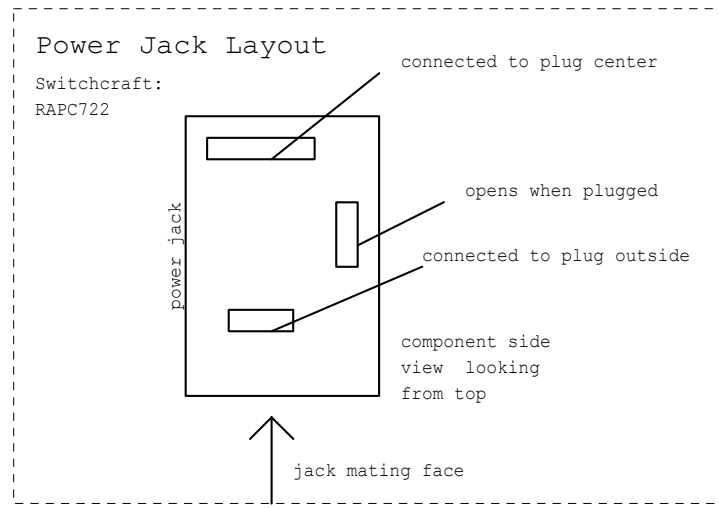
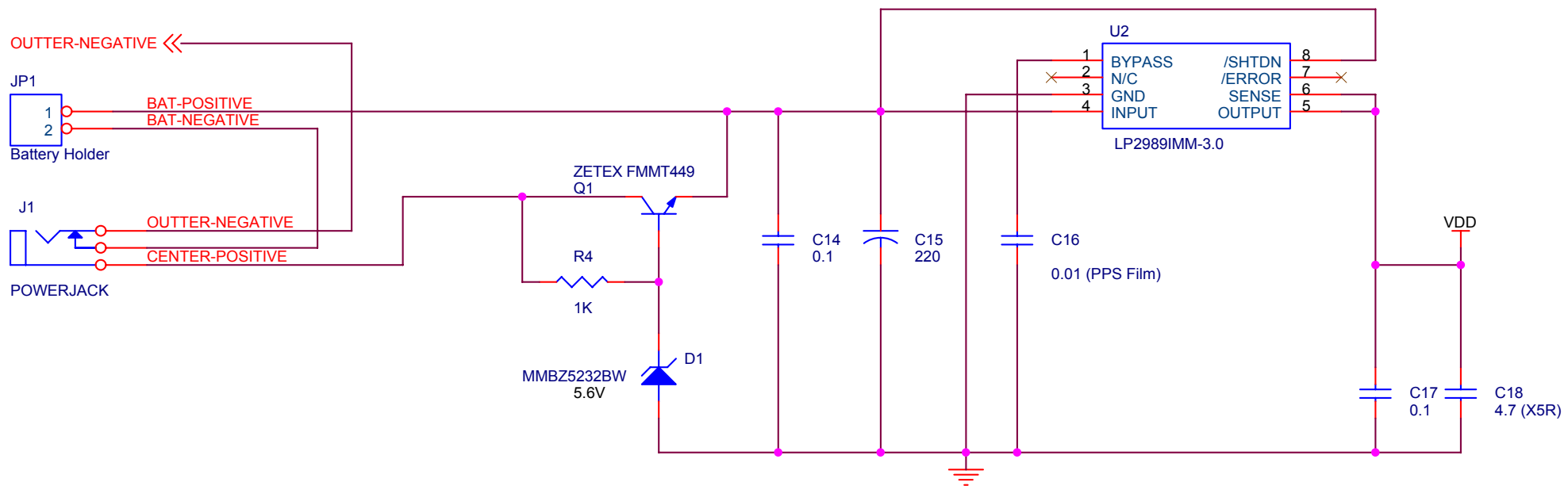


RSC CHIP

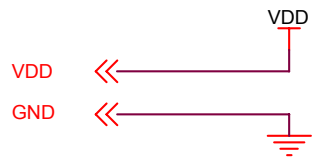
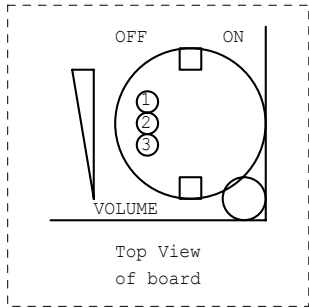
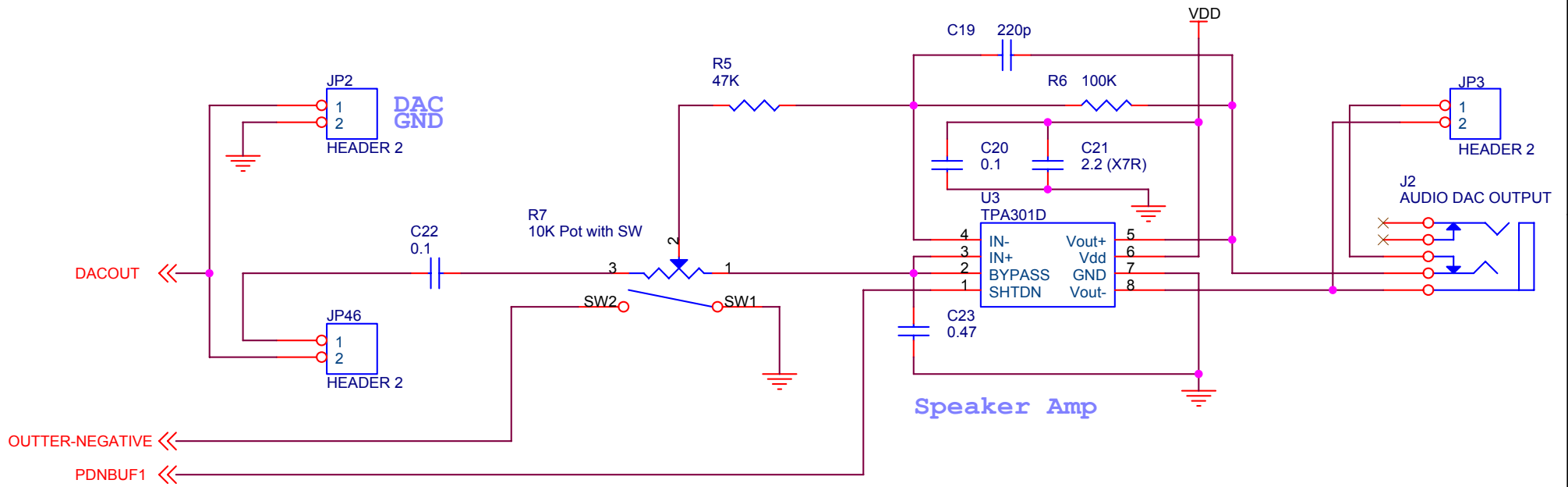


Title		
RSC-4x Target Board: RSC-4000		
Size	Document Number	Rev
A	70-0071	A
Date:	Friday, January 26, 2007	Sheet 1 of 17

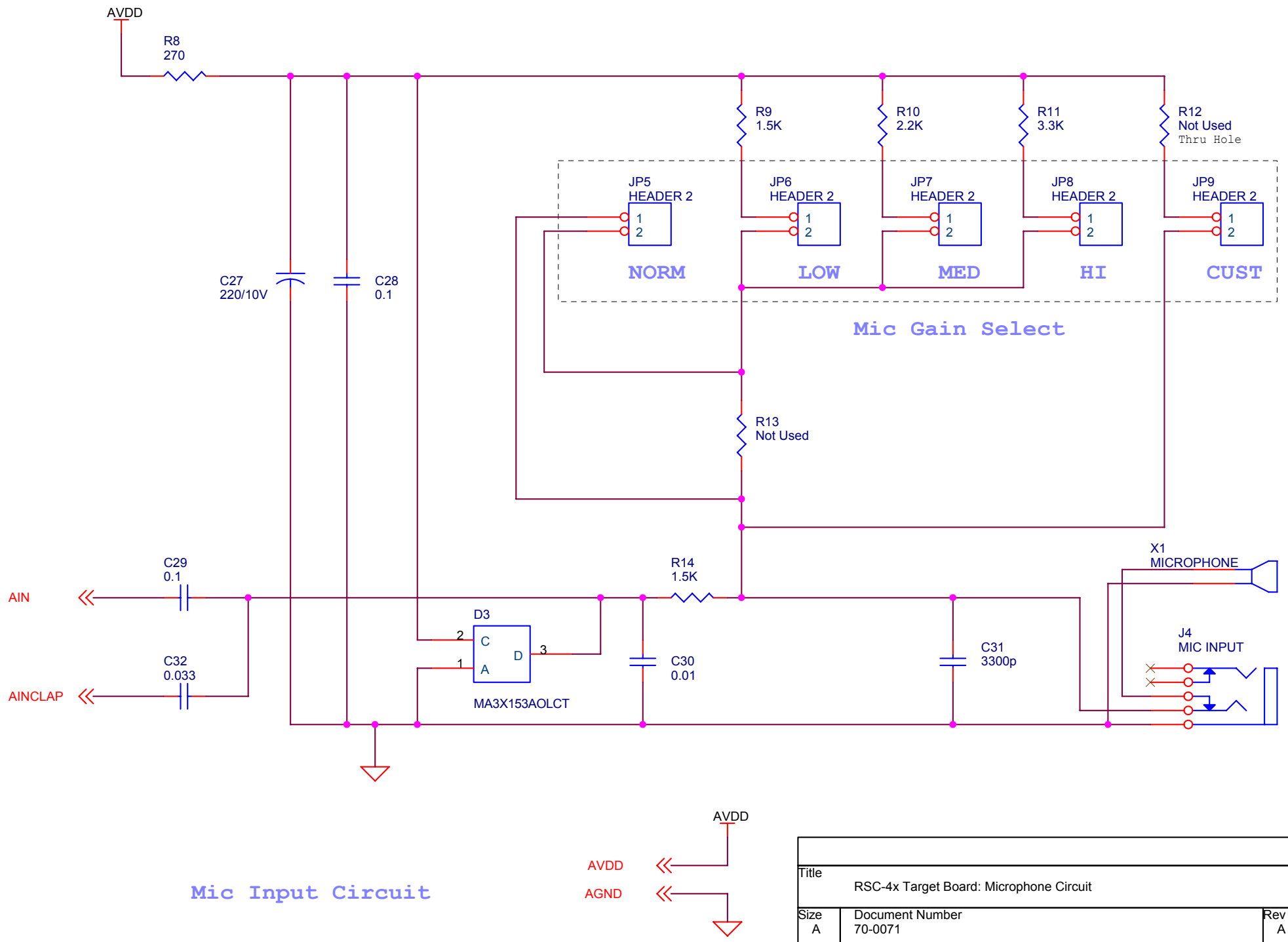
Place as close to VDD pins of U1 as possible.



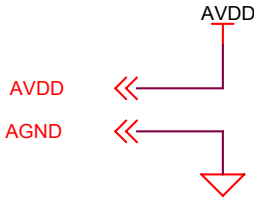
Title		
RSC-4x Target Board: Power Supply		
Size	Document Number	Rev
A	70-0071	A
Date:	Friday, January 26, 2007	Sheet 2 of 17



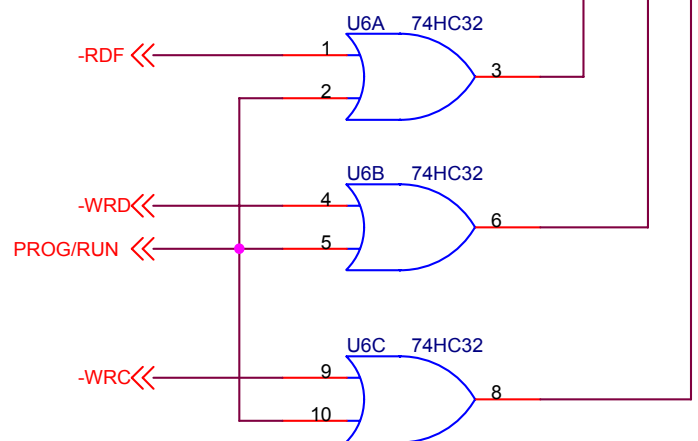
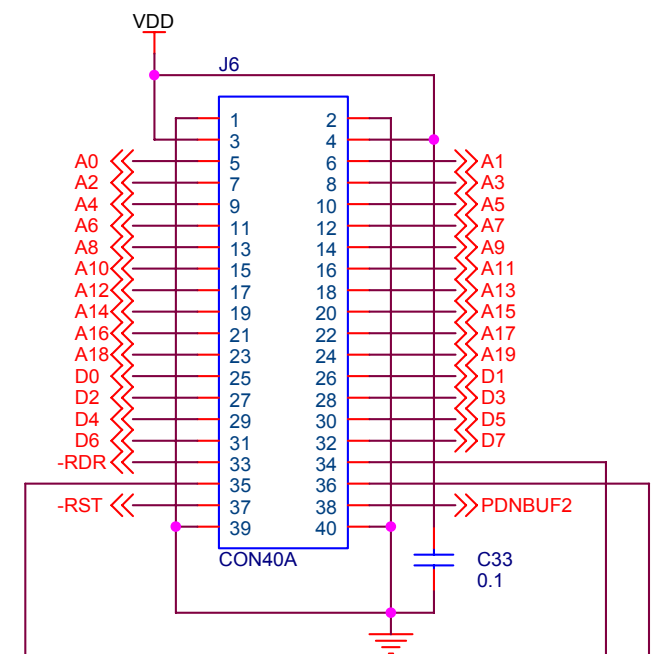
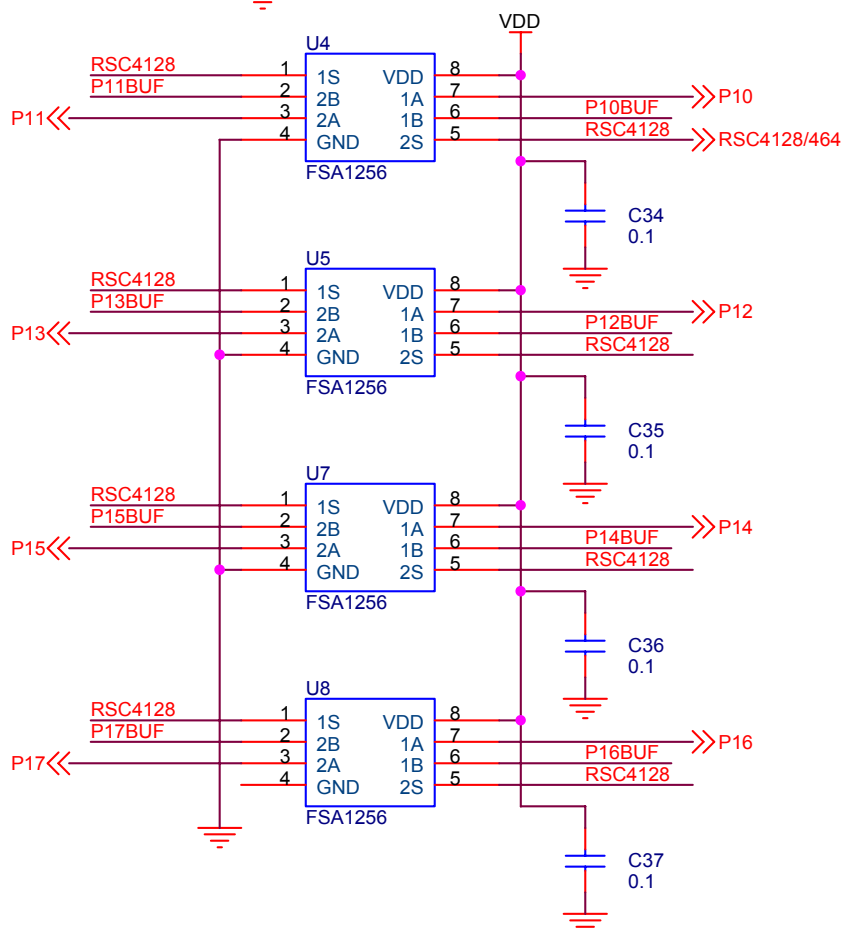
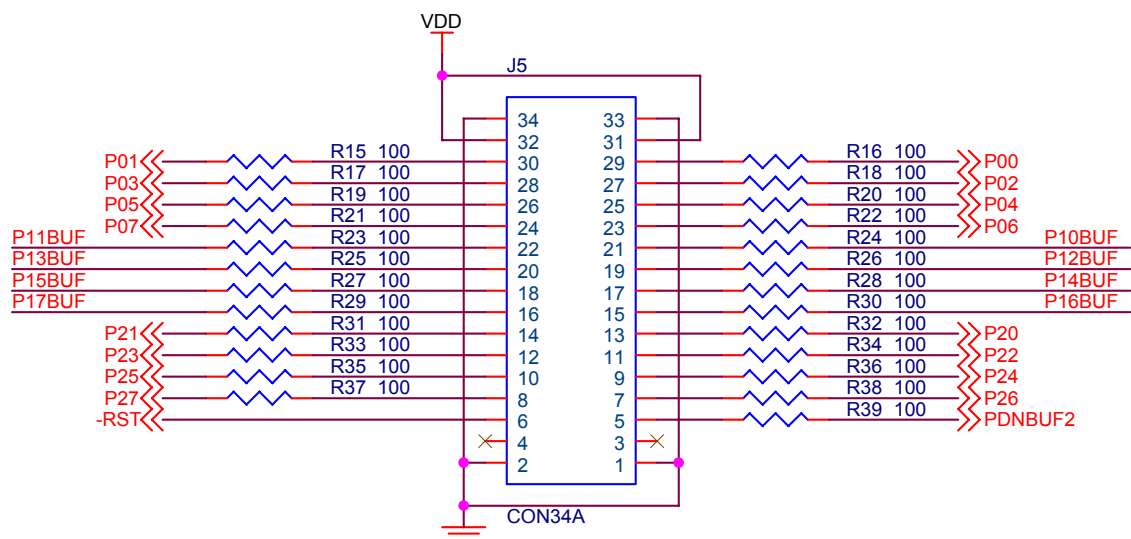
Title		
RSC-4x Target Board: Audio Outputs		
Size	Document Number	Rev
A	70-0071	A
Date:	Friday, January 26, 2007	Sheet 3 of 17



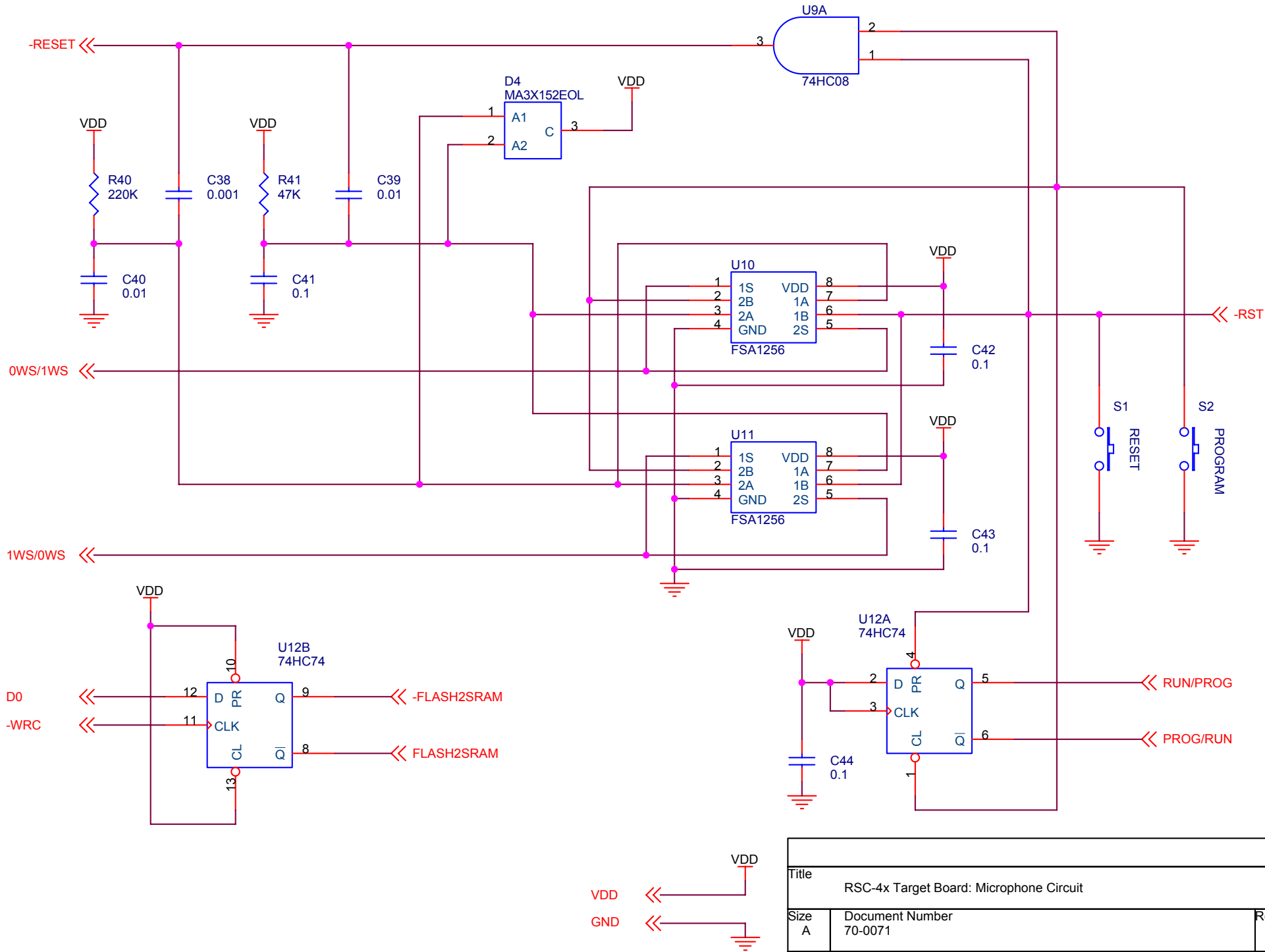
Mic Input Circuit



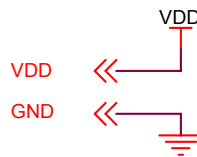
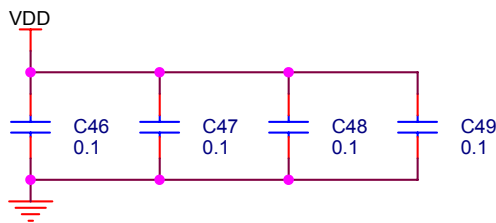
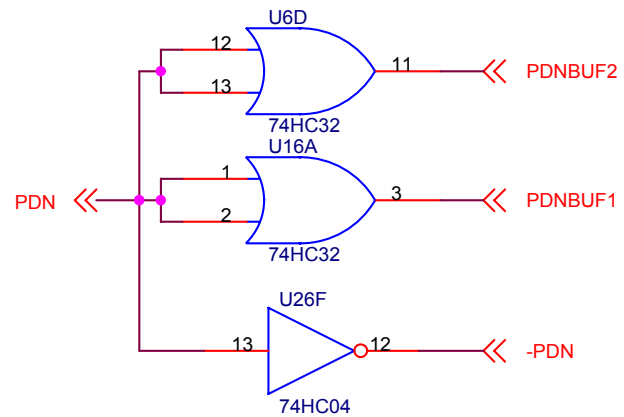
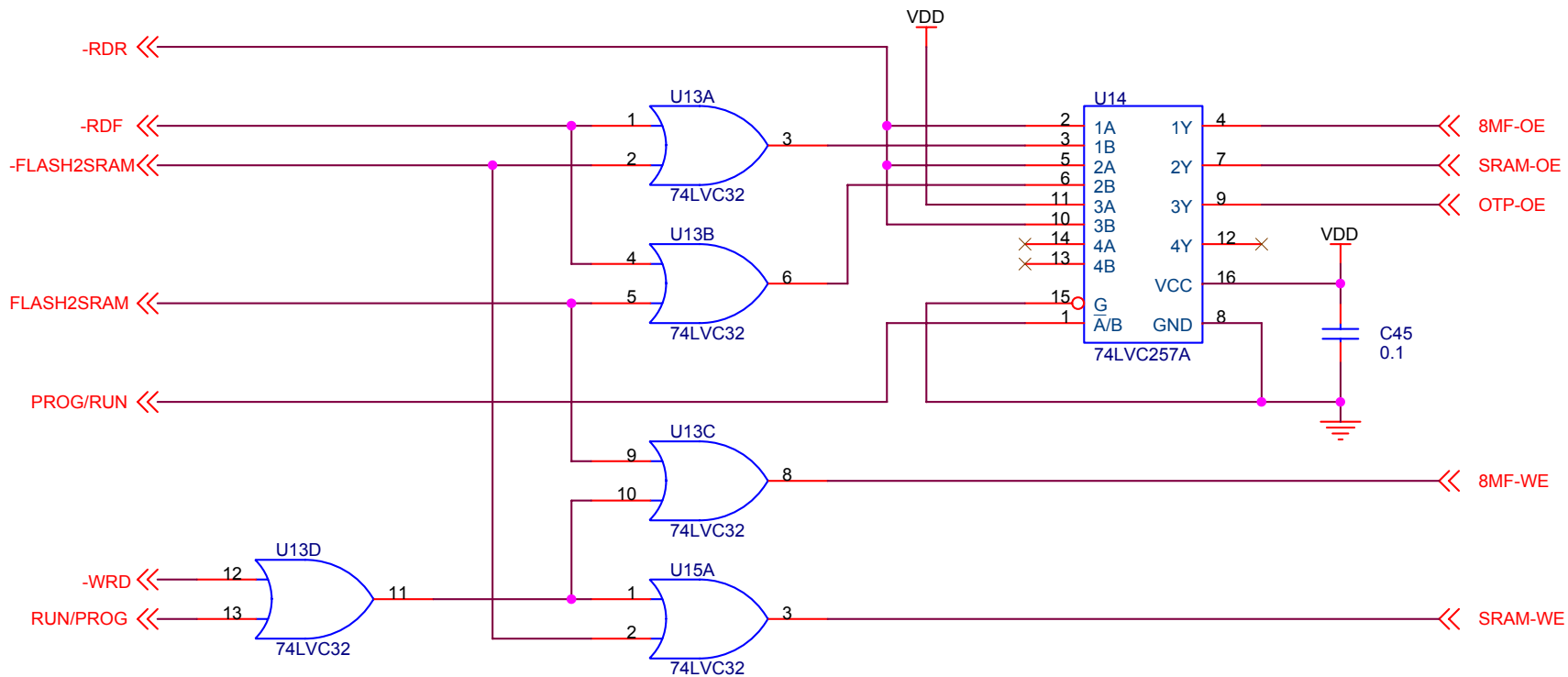
Title		
RSC-4x Target Board: Microphone Circuit		
Size A	Document Number 70-0071	Rev A
Date:	Friday, January 26, 2007	Sheet 5 of 17



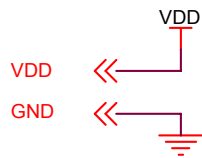
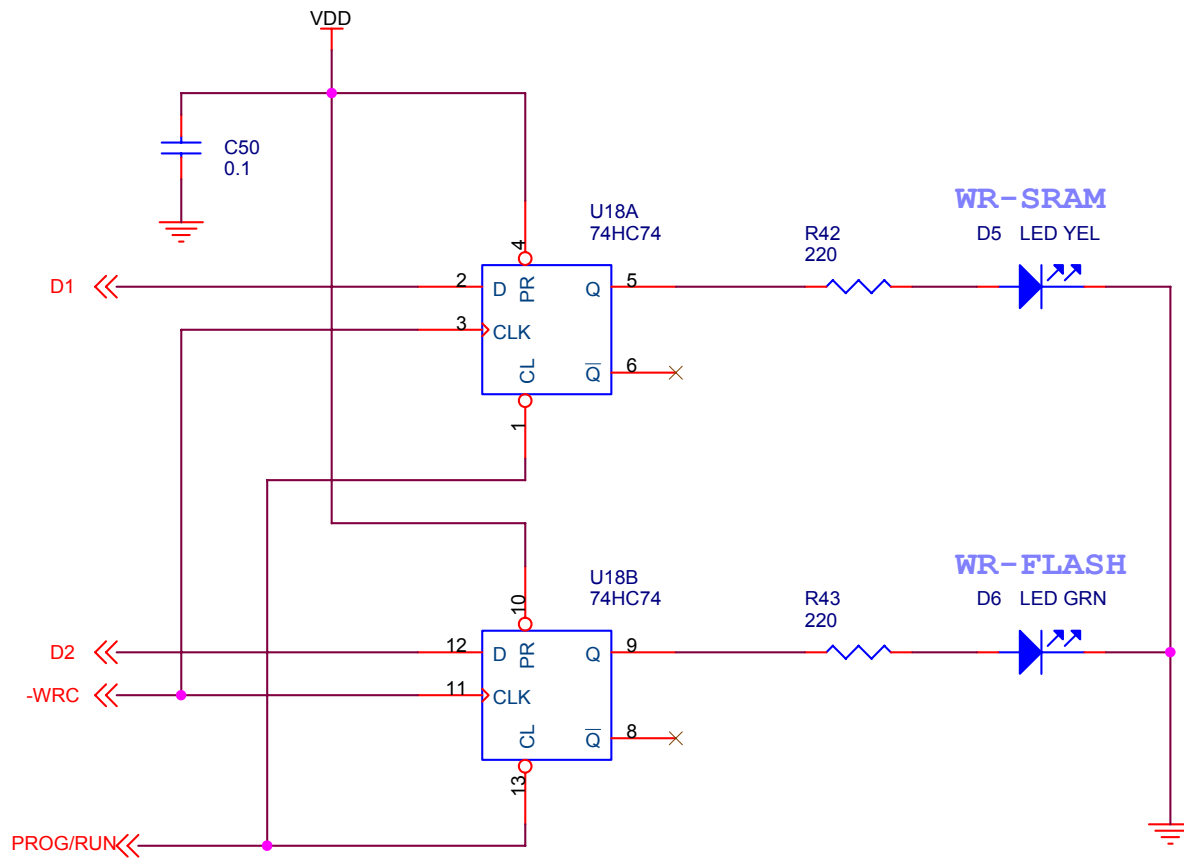
Title		
RSC-4x Target Board: I/O		
Size	Document Number	Rev
A	70-0071	A
Date:	Friday, January 26, 2007	Sheet 6 of 17



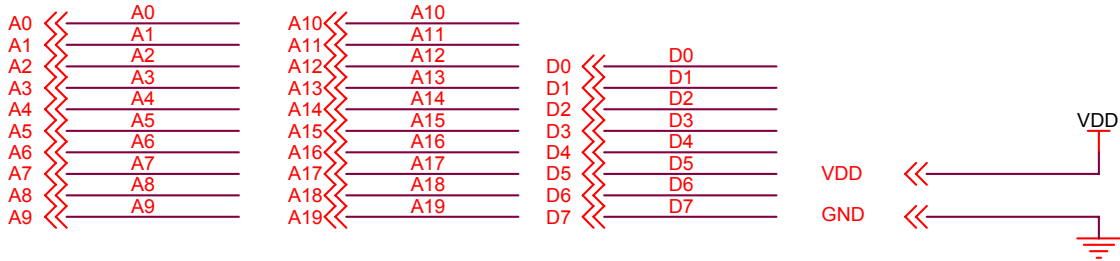
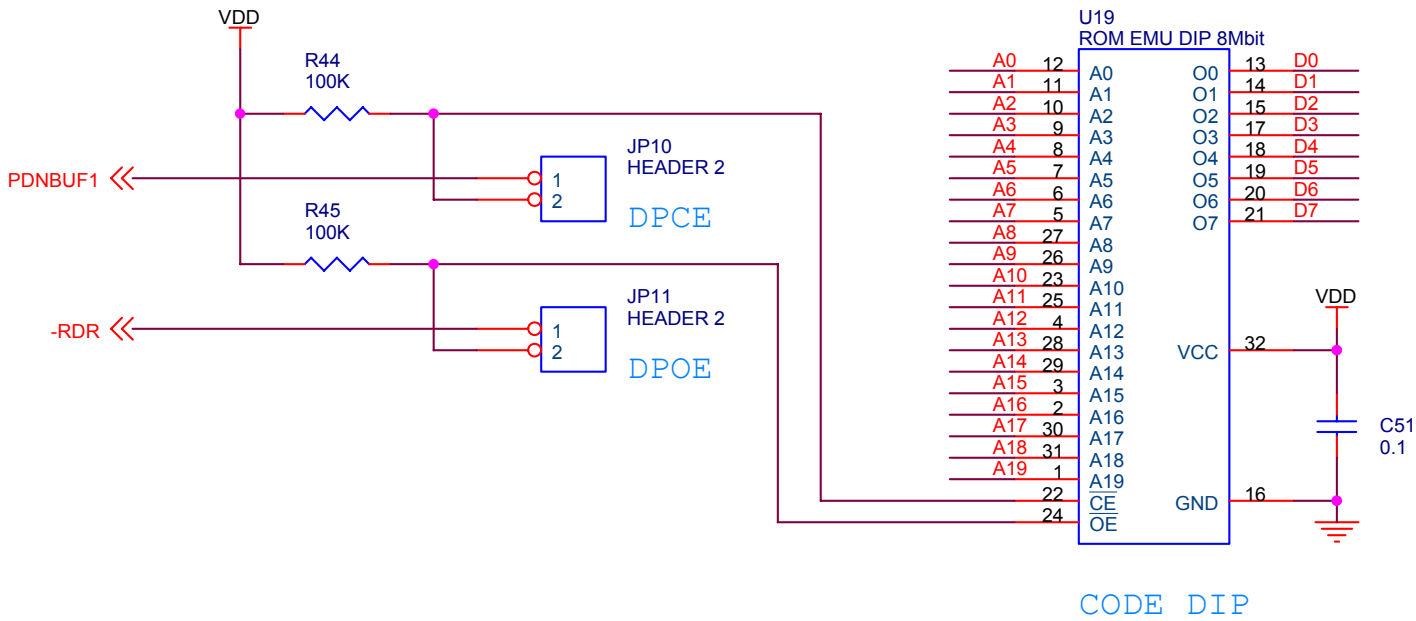
Title		
RSC-4x Target Board: Microphone Circuit		
Size	Document Number	Rev
A	70-0071	A
Date:	Friday, January 26, 2007	Sheet 7 of 17



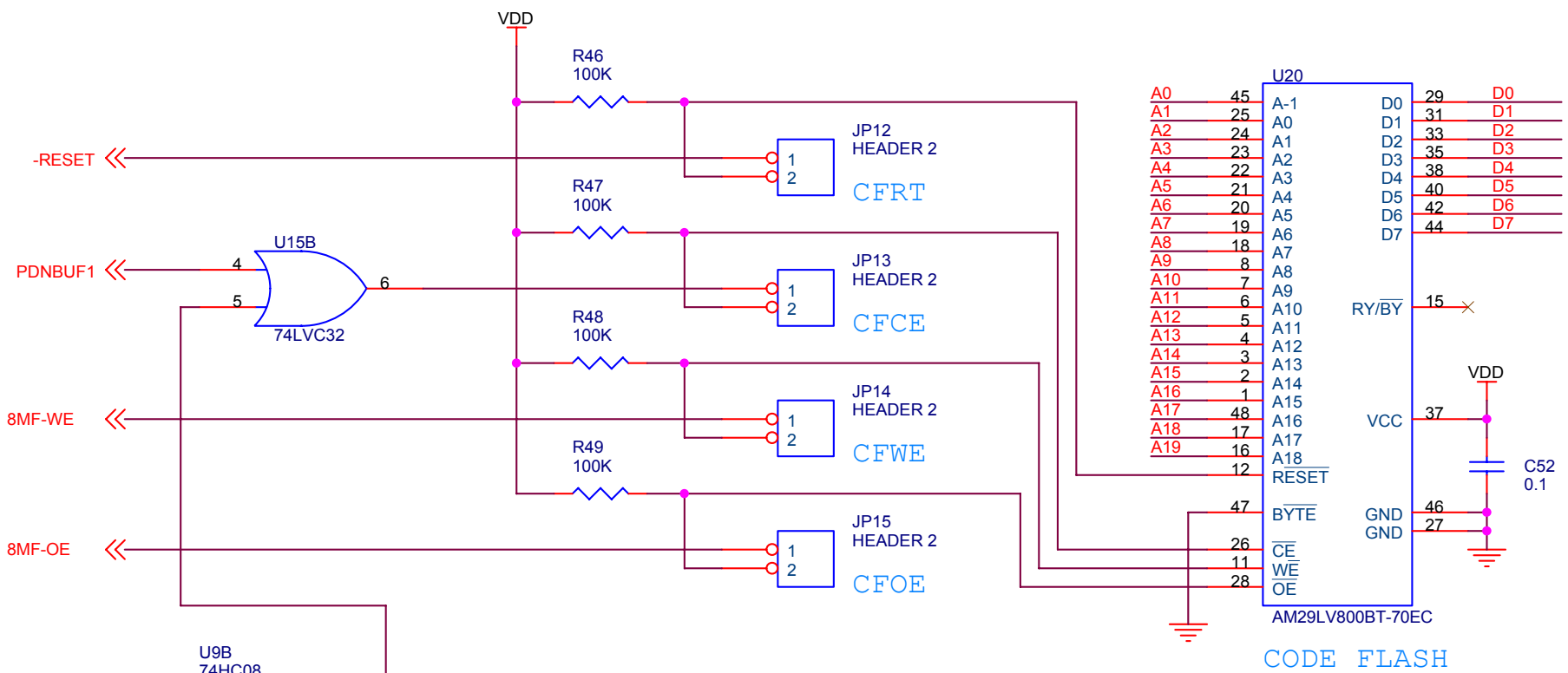
Title		
RSC-4x Target Board: Control 2		
Size	Document Number	Rev
A	70-0071	A
Date:	Friday, January 26, 2007	Sheet 8 of 17



Title		
RSC-4x Target Board: Control 3		
Size A	Document Number 70-0071	Rev A
Date:	Friday, January 26, 2007	Sheet 9 of 17

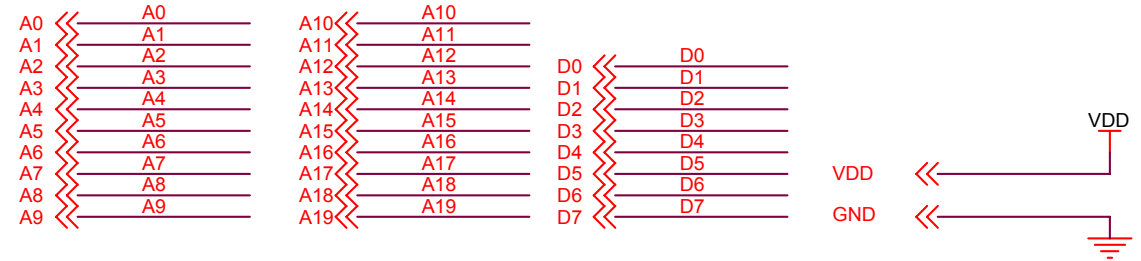


Title		
RSC-4x Target Board: Memory Code DIP		
Size	Document Number	Rev
A	70-0071	A
Date:	Friday, January 26, 2007	Sheet 10 of 17

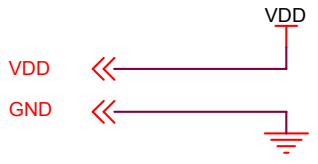
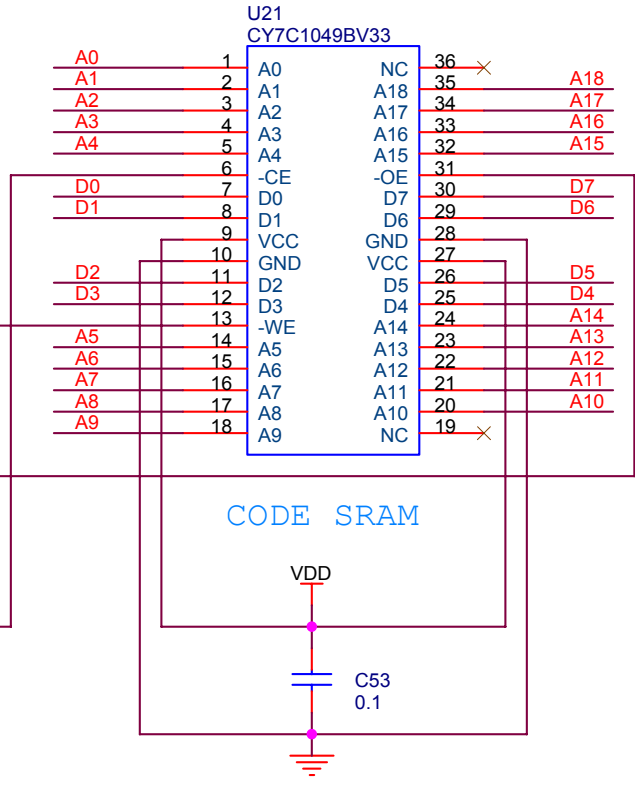
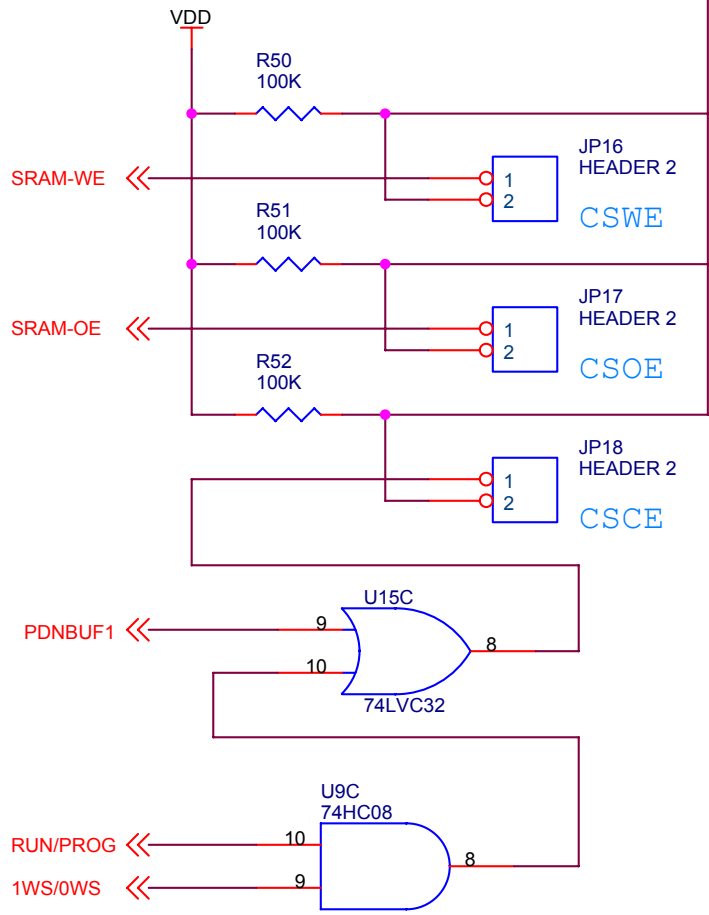
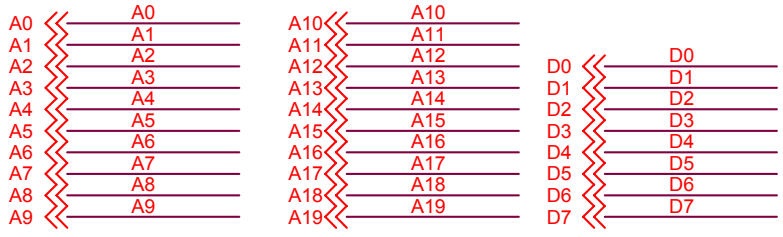


A0	45	A-1	D0	29	D0
A1	25	A0	D1	31	D1
A2	24	A2	D2	33	D2
A3	23	A1	D3	35	D3
A4	22	A2	D4	38	D4
A5	21	A3	D5	40	D5
A6	20	A4	D6	42	D6
A7	19	A5	D7	44	D7
A8	18	A6			
A9	8	A7			
A10	7	A8			
A11	6	A9	RY/BY	15	X
A12	5	A10			
A13	4	A11			
A14	3	A12			
A15	2	A13			
A16	1	A14			
A17	48	A15	VCC	37	VDD
A18	17	A16			
A19	16	A17			
	12	A18	GND	46	GND
		A19	GND	27	GND
		RESET			
	47	BYTE			
	26	CE			
	11	WE			
	28	OE			

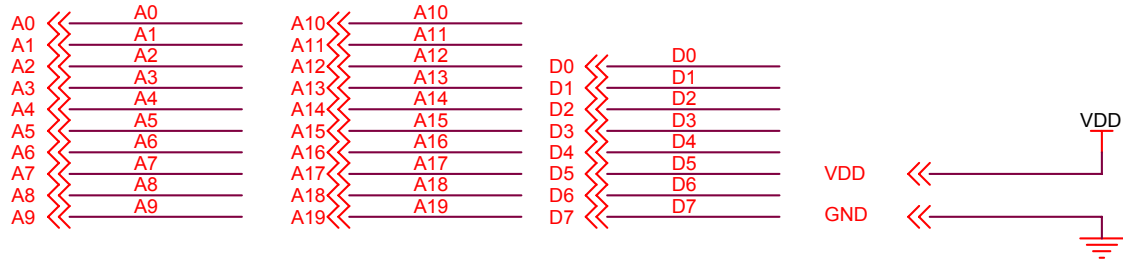
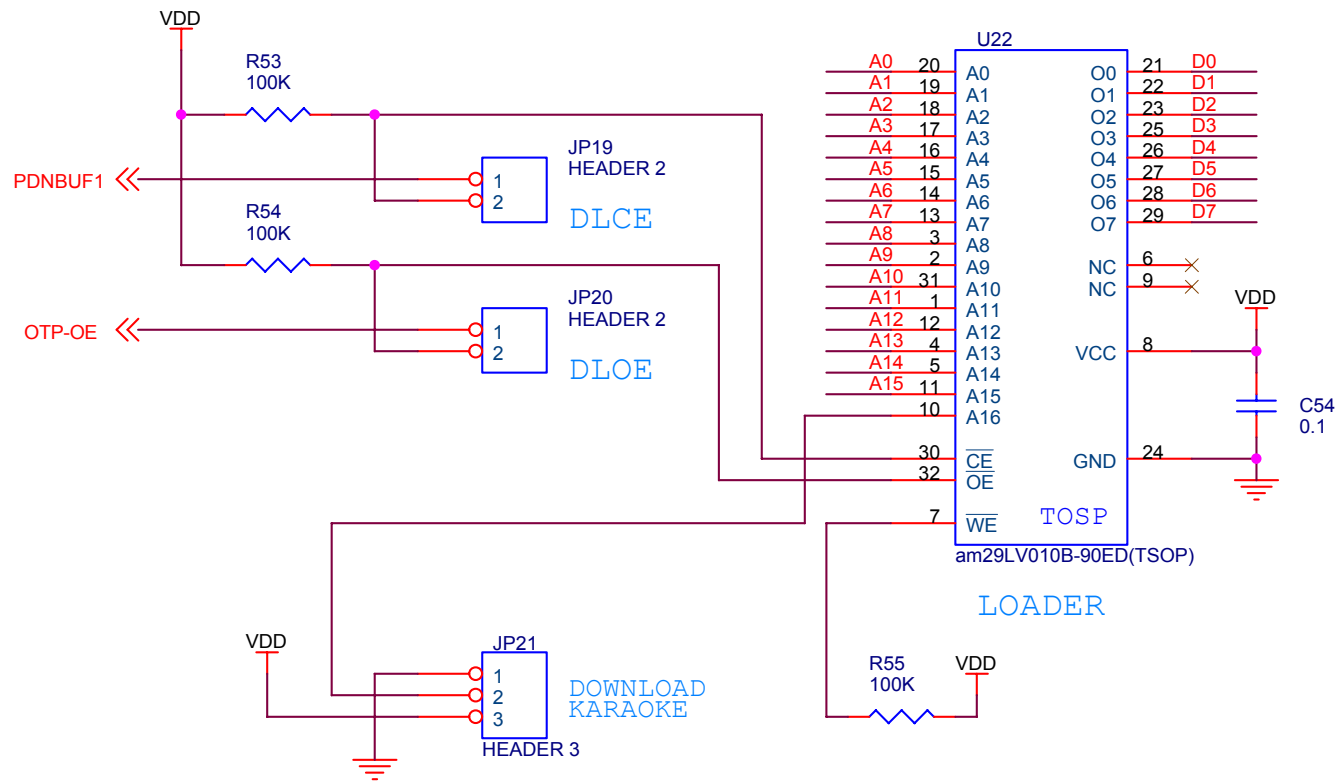
AM29LV800BT-70EC
CODE FLASH



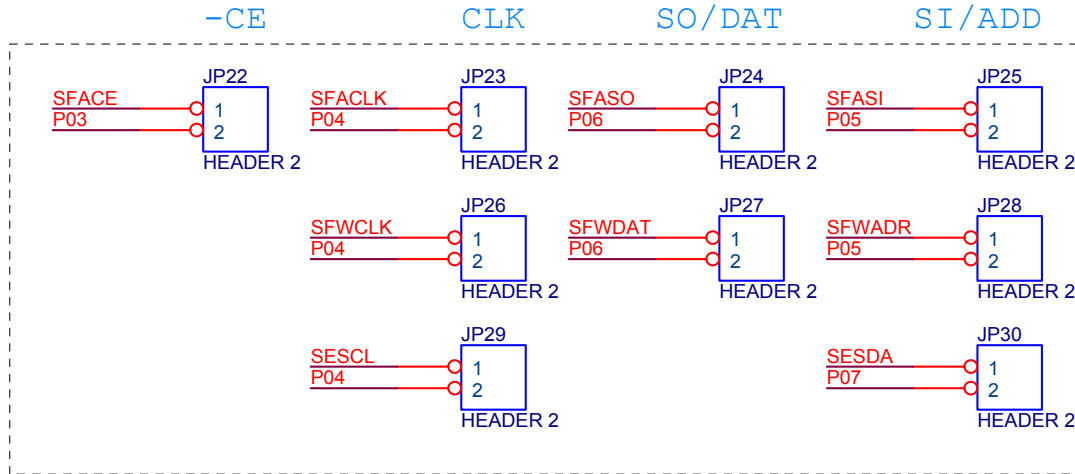
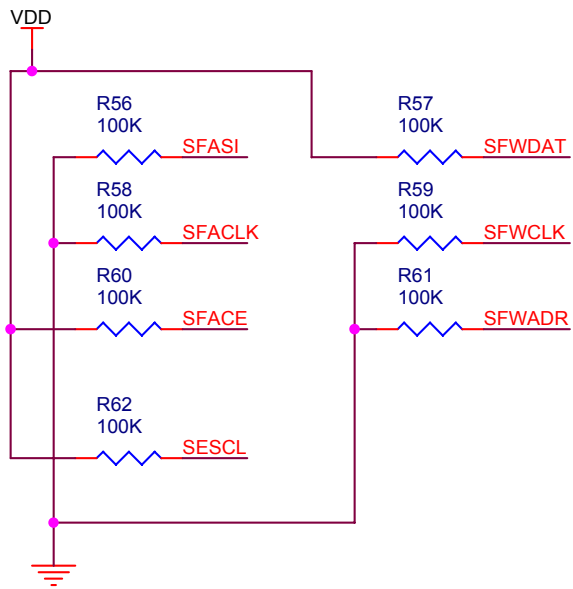
Title		
RSC-4x Target Board: Memory Code Flash		
Size	Document Number	Rev
A	70-0071	A
Date:	Friday, January 26, 2007	Sheet 11 of 17



Title		
RSC-4x Target Board: Memory Code SRAM		
Size	Document Number	Rev
A	70-0071	A
Date:	Friday, January 26, 2007	Sheet 12 of 17



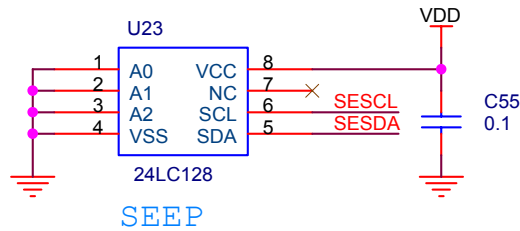
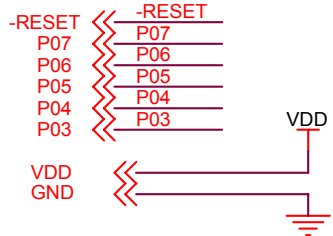
Title		
RSC-4x Target Board: Memory Code Loader		
Size	Document Number	Rev
A	70-0071	A
Date:	Friday, January 26, 2007	Sheet 13 of 17



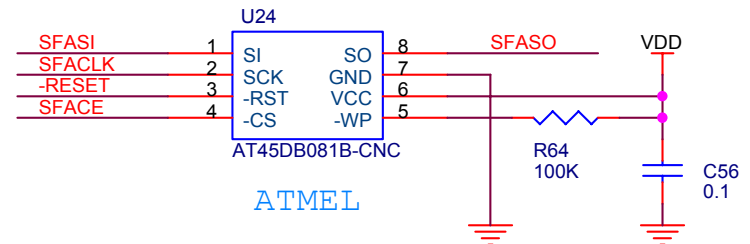
ATMEL

WINBOND

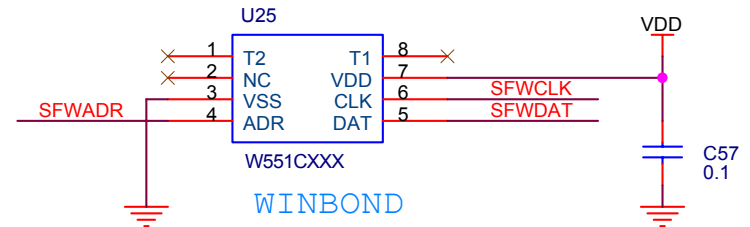
SEEP



SEEP



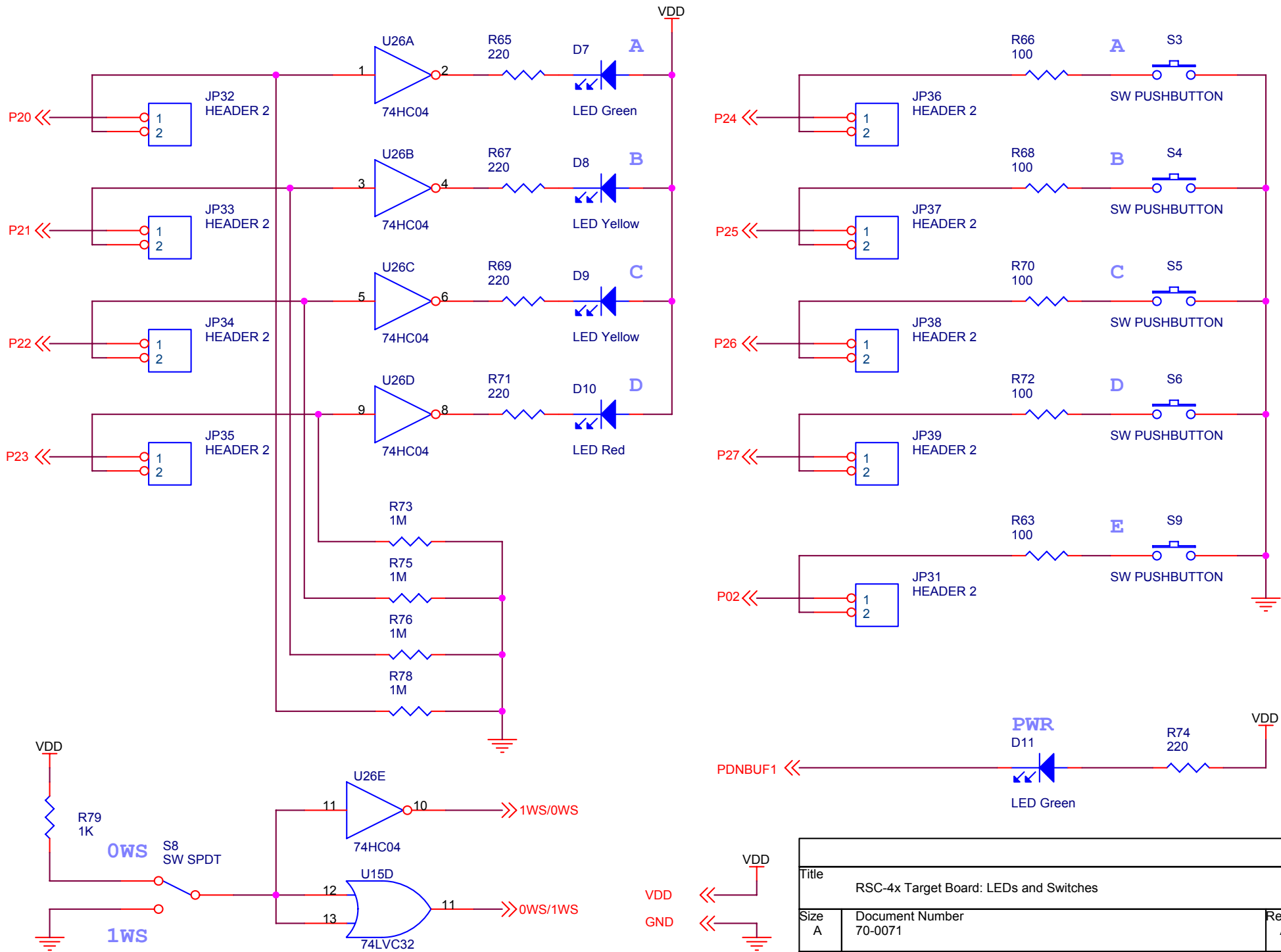
ATMEL



WINBOND

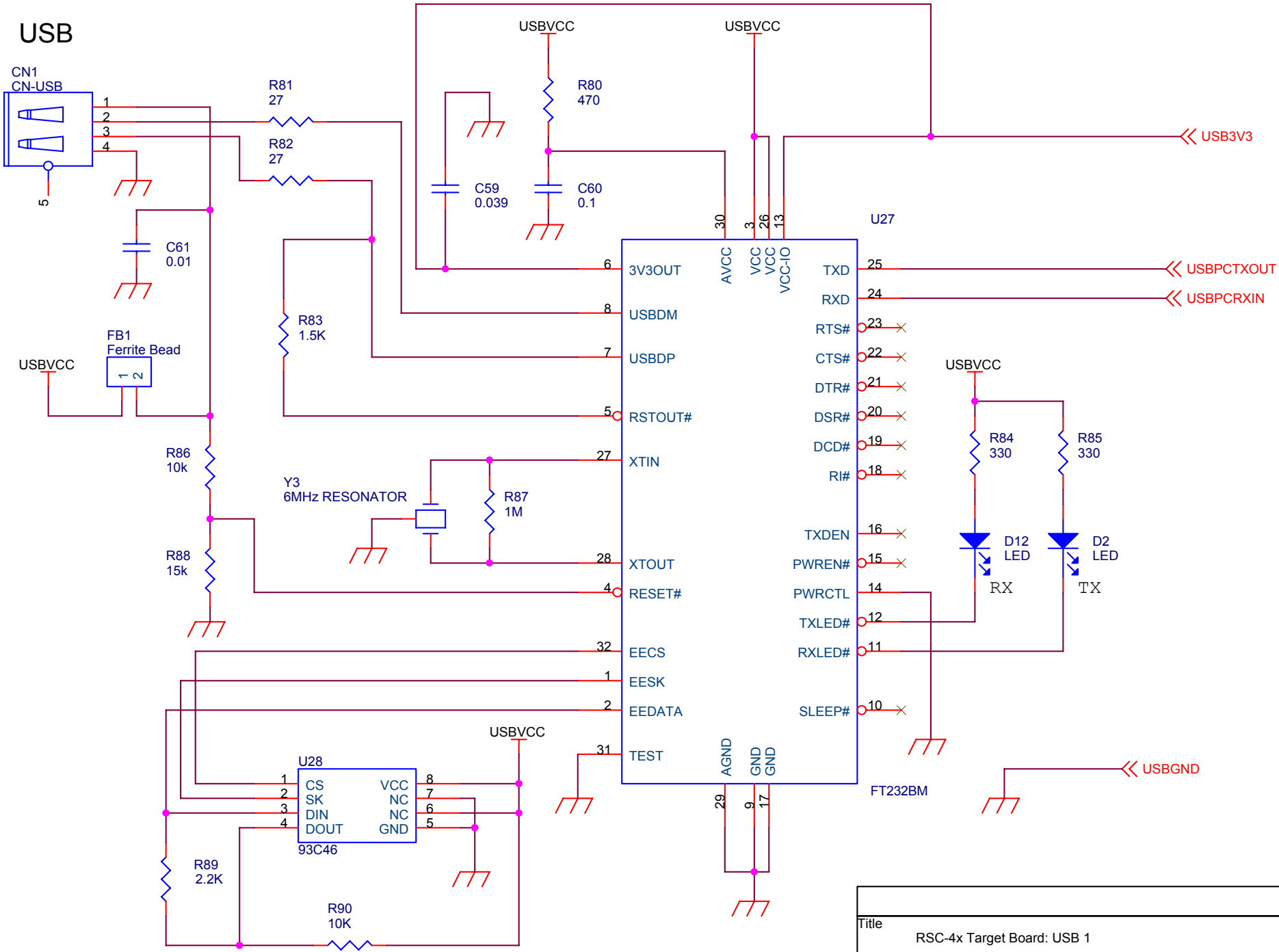
J7, C58, JP31, R63 -
were removed

Title		
RSC-4x Target Board: Memory Serial		
Size	Document Number	Rev
A	70-0071	A
Date:	Friday, January 26, 2007	Sheet 14 of 17

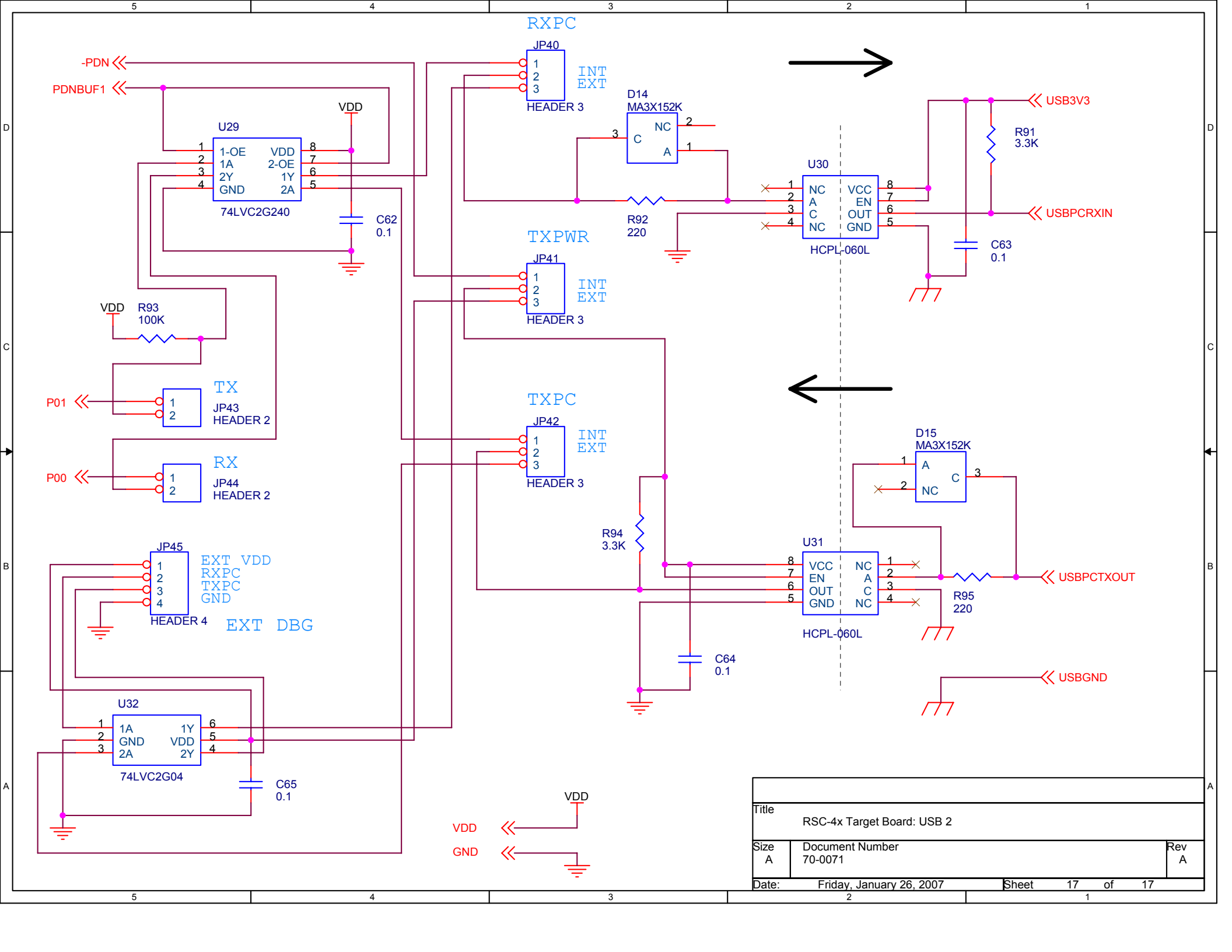


Title		
RSC-4x Target Board: LEDs and Switches		
Size	Document Number	Rev
A	70-0071	A
Date:	Friday, January 26, 2007	Sheet 15 of 17

USB



Title		
RSC-4x Target Board: USB 1		
Size	Document Number	Rev
A	70-0071	A
Date:	Friday, January 26, 2007	Sheet 16 of 17



Title		
RSC-4x Target Board: USB 2		
Size	Document Number	Rev
A	70-0071	A
Date:	Friday, January 26, 2007	Sheet 17 of 17