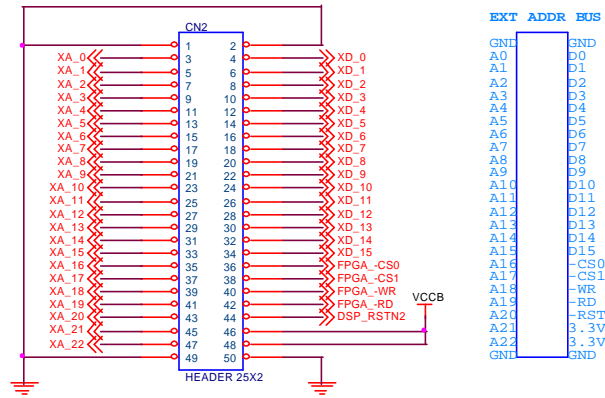
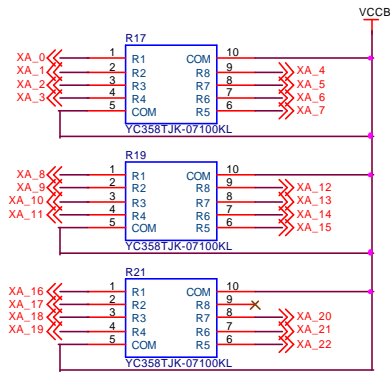
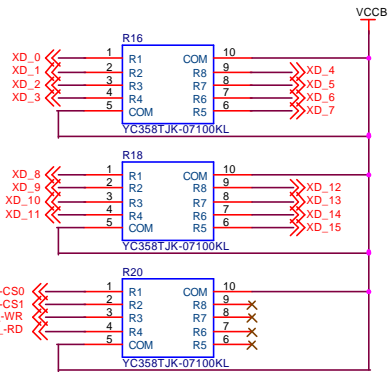
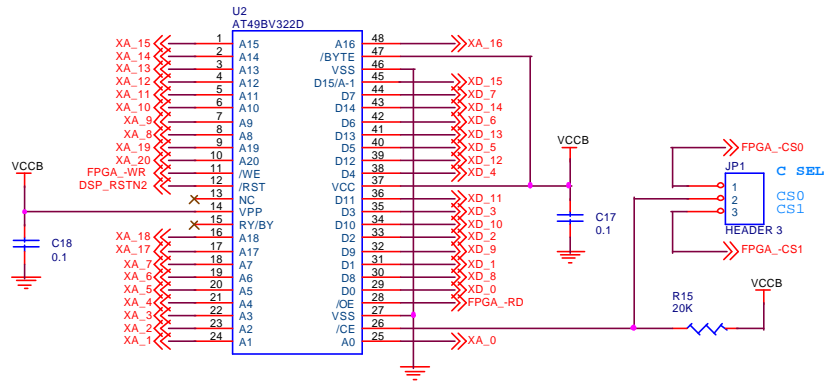
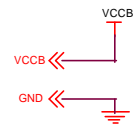


Note: AT49BV322D to be on TOP side

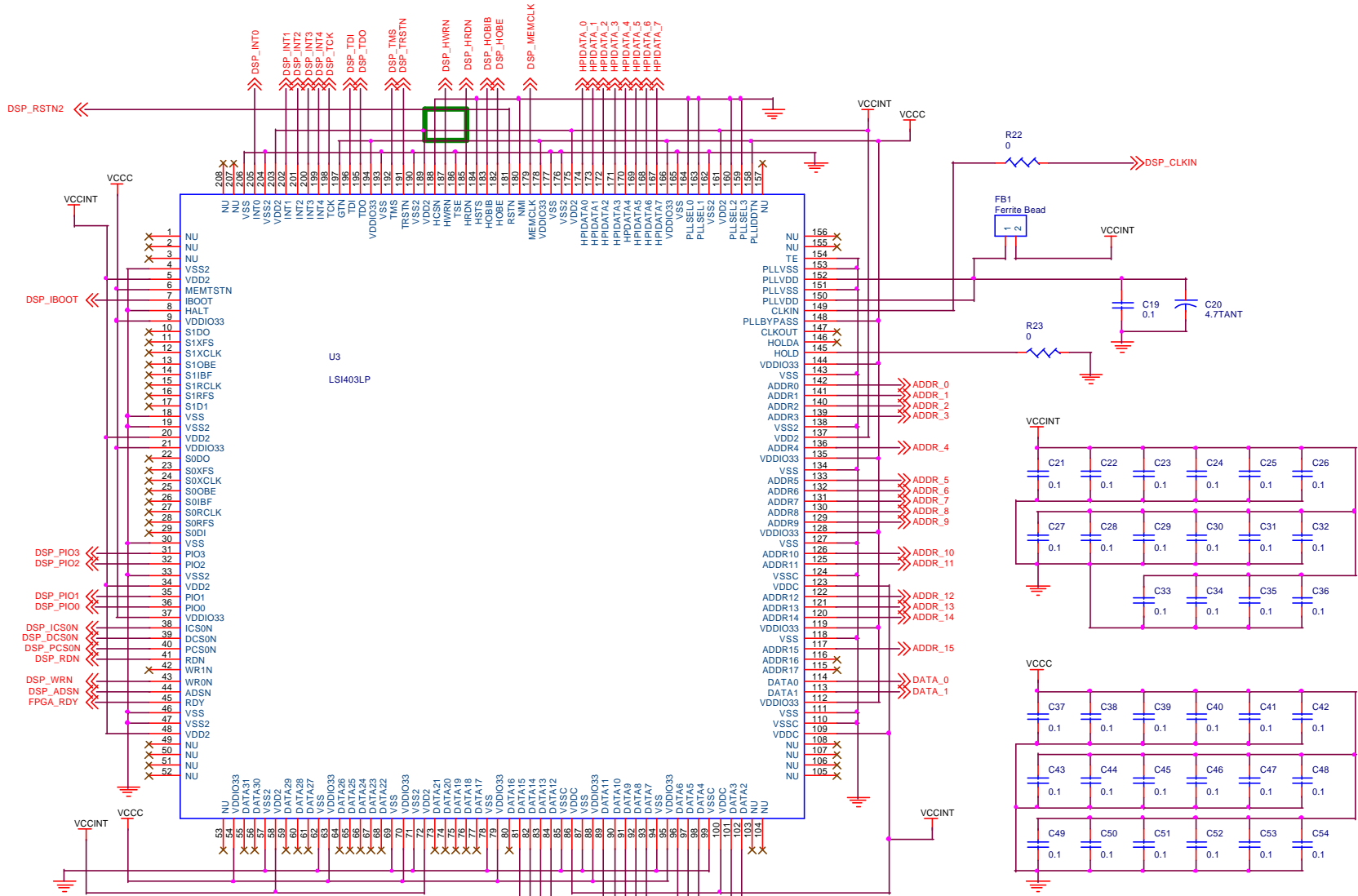


EXT ADDR BUS

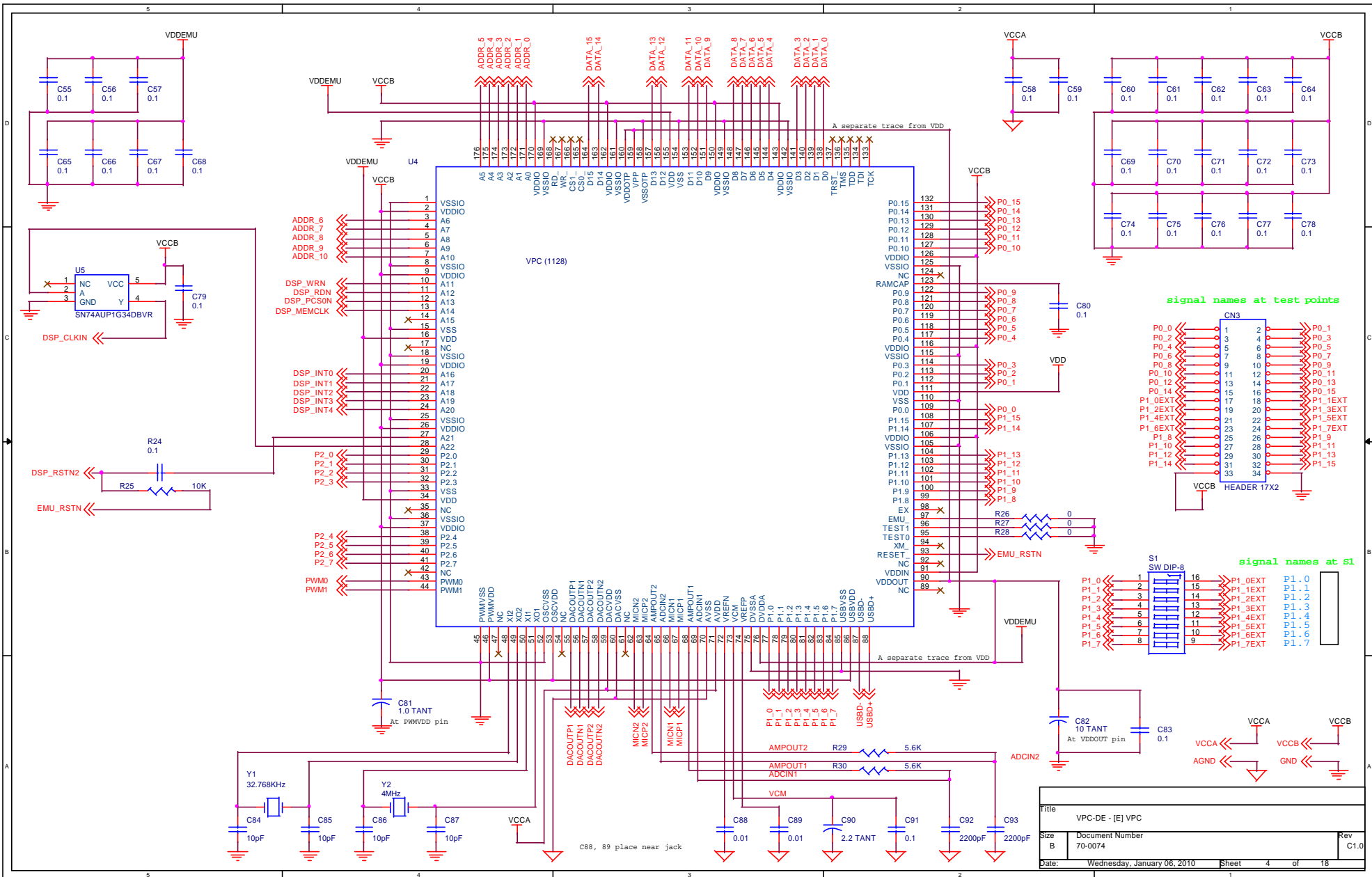
GND1	GND
A0	D0
A1	D1
A2	D2
A3	D3
A4	D4
A5	D5
A6	D6
A7	D7
A8	D8
A9	D9
A10	D10
A11	D11
A12	D12
A13	D13
A14	D14
A15	D15
A16	-CS0
A17	-CS1
A18	-WR
A19	-RD
A20	-RST
A21	3.3V
A22	3.3V
GND1	GND



Title		
VPC-DE - [E] External Bus 2/2 - Memory and Connector		
Size B	Document Number 70-0074	Rev B1.0
Date: Wednesday, January 06, 2010	Sheet 2 of 18	

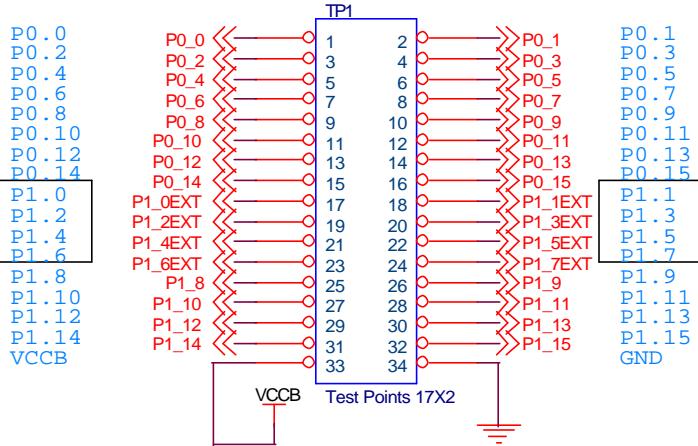


Title		
VPC-DE - [E] DSP		
Size	Document Number	Rev
B	70-0074	B1.0
Date:	Wednesday, January 06, 2010	Sheet 3 of 18

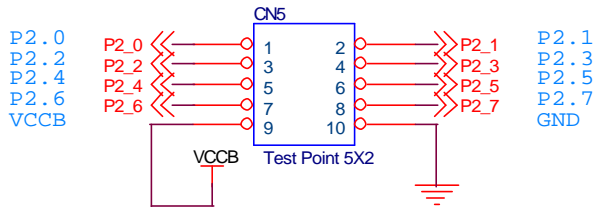


Title			
VPC-DE - [E] VPC			
Size	Document Number	Rev	
B	70-0074		C1.0
Date:	Wednesday, January 06, 2010	Sheet	4 of 18

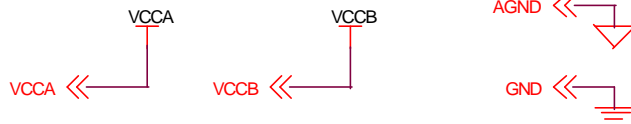
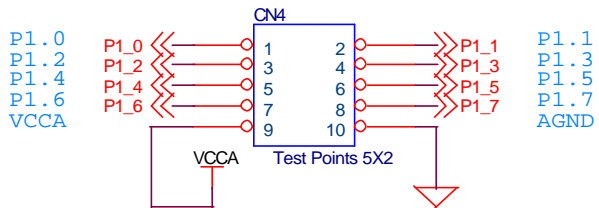
IO TEST POINT



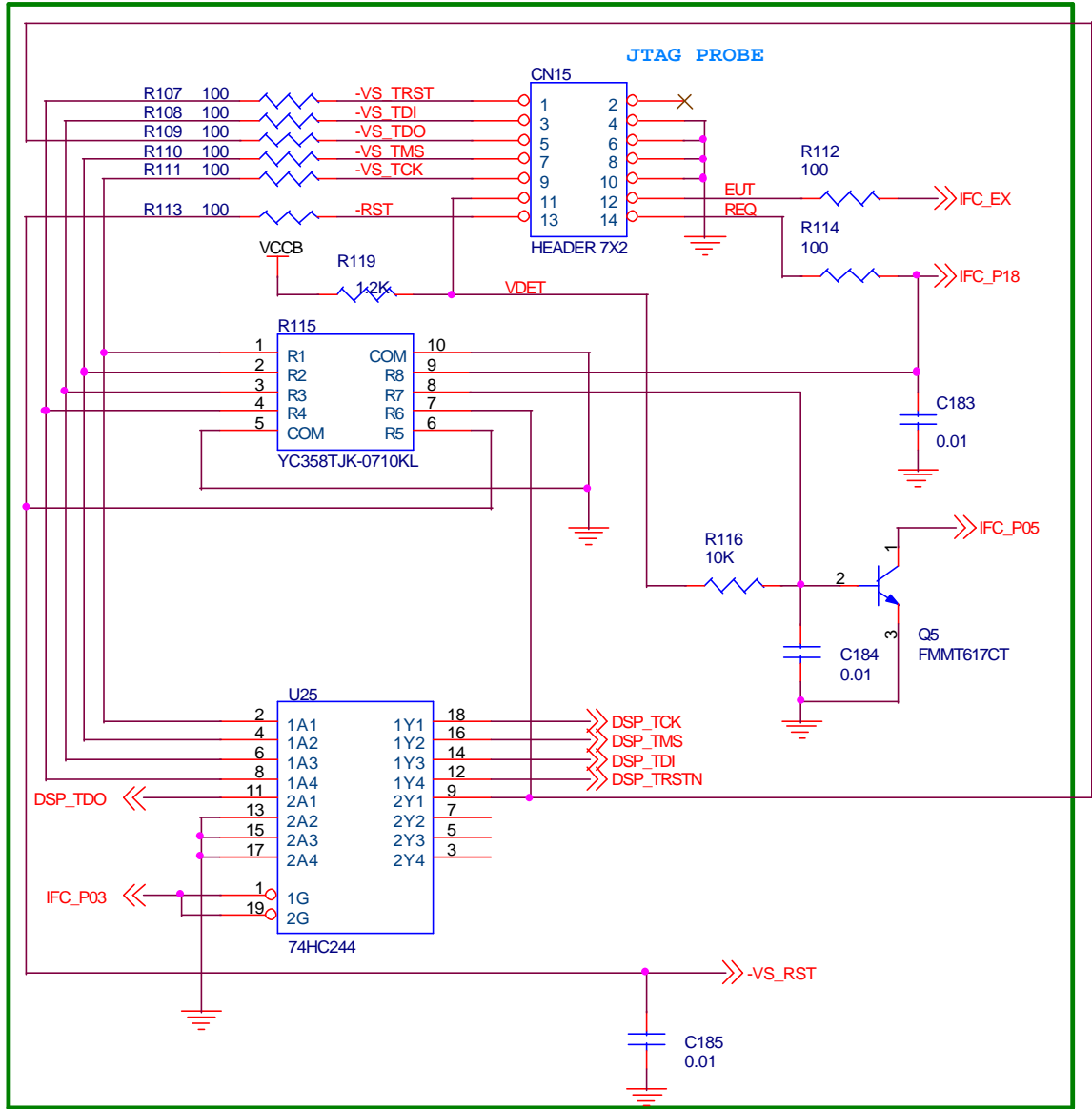
SERIAL INT



ANALOG IO



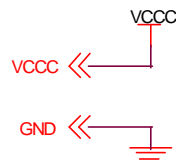
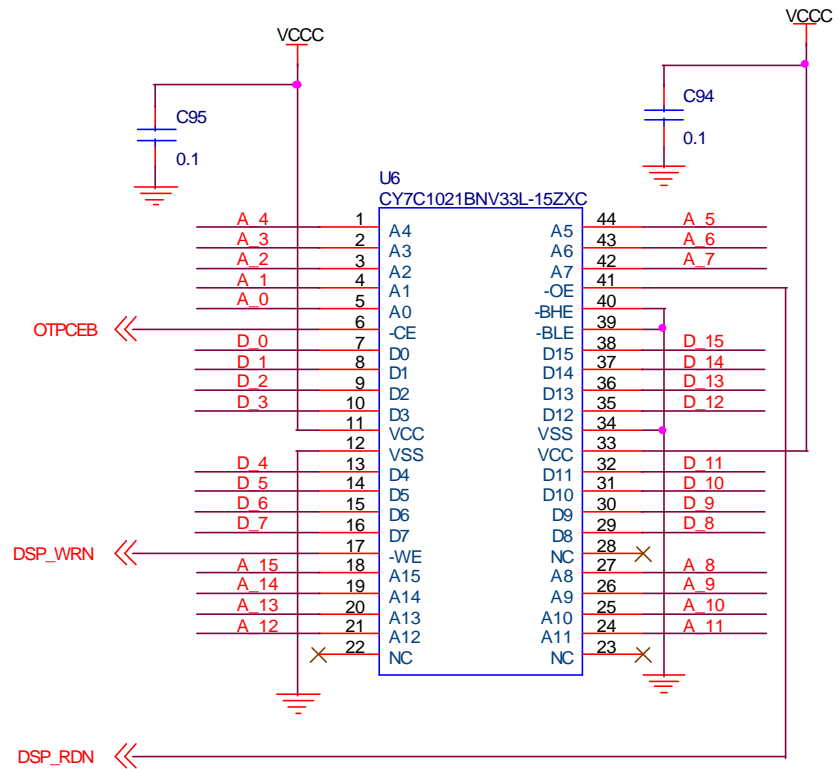
JTAG PROBE



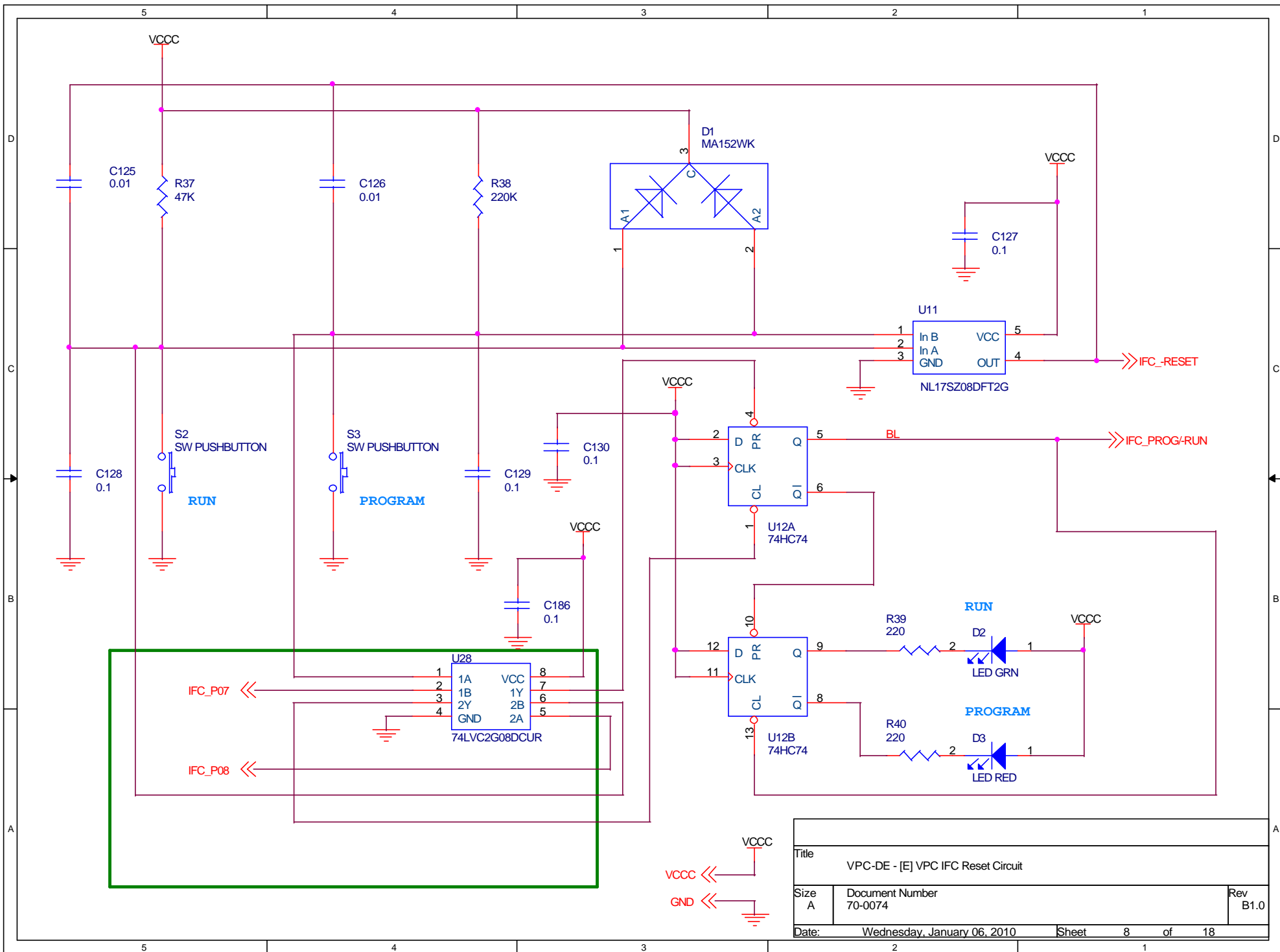
Title VPC-DE - [E] VPC IO Test Points		
Size A	Document Number 70-0074	Rev B1.0
Date: Wednesday, January 06, 2010	Sheet 5	of 18

EADDR_15 << A 15
 EADDR_14 << A 14
 EADDR_13 << A 13
 EADDR_12 << A 12
 EADDR_11 << A 11
 EADDR_10 << A 10
 EADDR_9 << A 9
 EADDR_8 << A 8
 ADDR_7 << A 7
 ADDR_6 << A 6
 ADDR_5 << A 5
 ADDR_4 << A 4
 ADDR_3 << A 3
 ADDR_2 << A 2
 ADDR_1 << A 1
 ADDR_0 << A 0

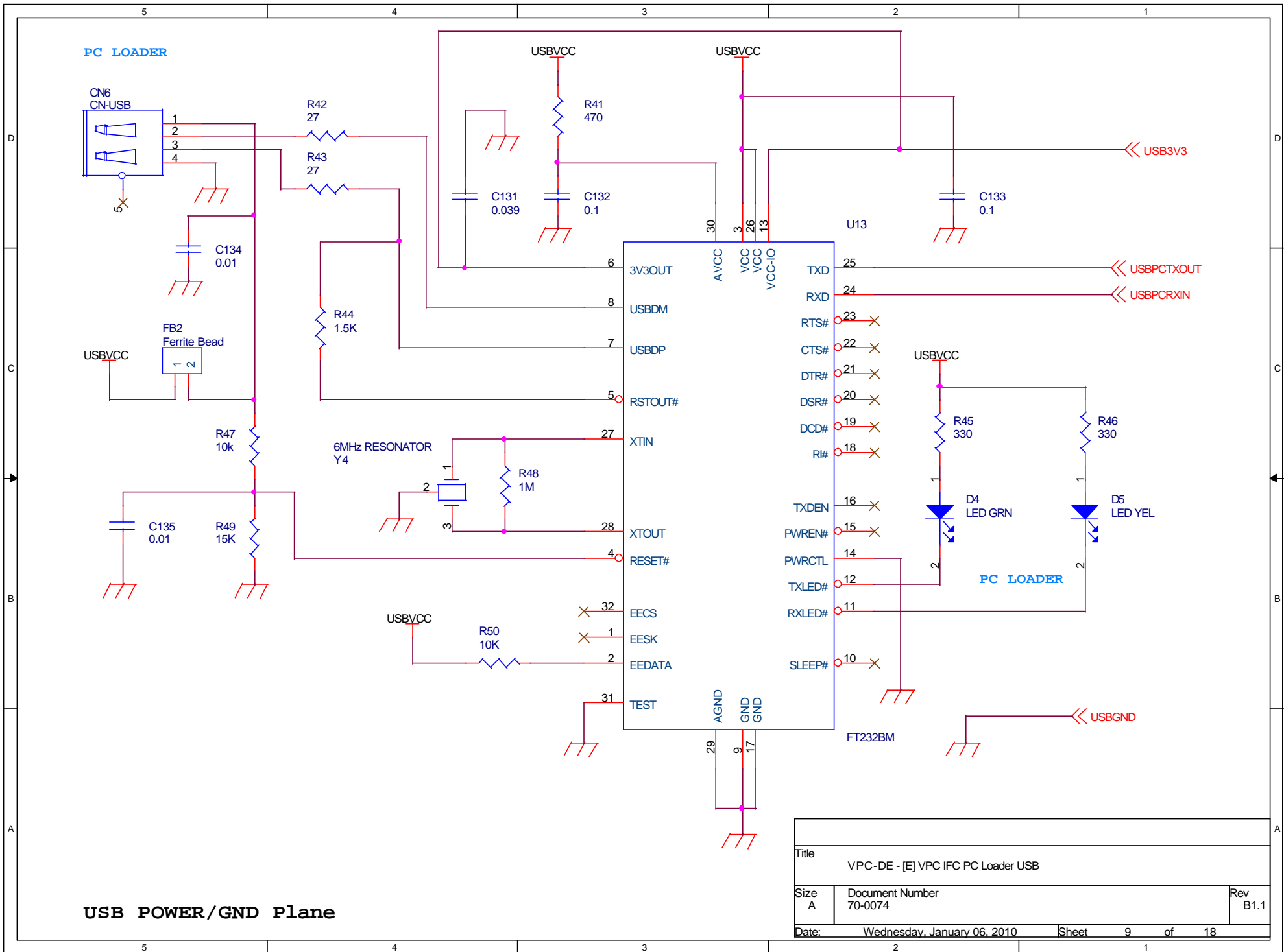
DATA_15 << D 15
 DATA_14 << D 14
 DATA_13 << D 13
 DATA_12 << D 12
 DATA_11 << D 11
 DATA_10 << D 10
 DATA_9 << D 9
 DATA_8 << D 8
 DATA_7 << D 7
 DATA_6 << D 6
 DATA_5 << D 5
 DATA_4 << D 4
 DATA_3 << D 3
 DATA_2 << D 2
 DATA_1 << D 1
 DATA_0 << D 0



Title		
VPC-DE - [E] BOOT ROM		
Size	Document Number	Rev
A	70-0074	B1.0
Date:	Wednesday, January 06, 2010	Sheet 6 of 18

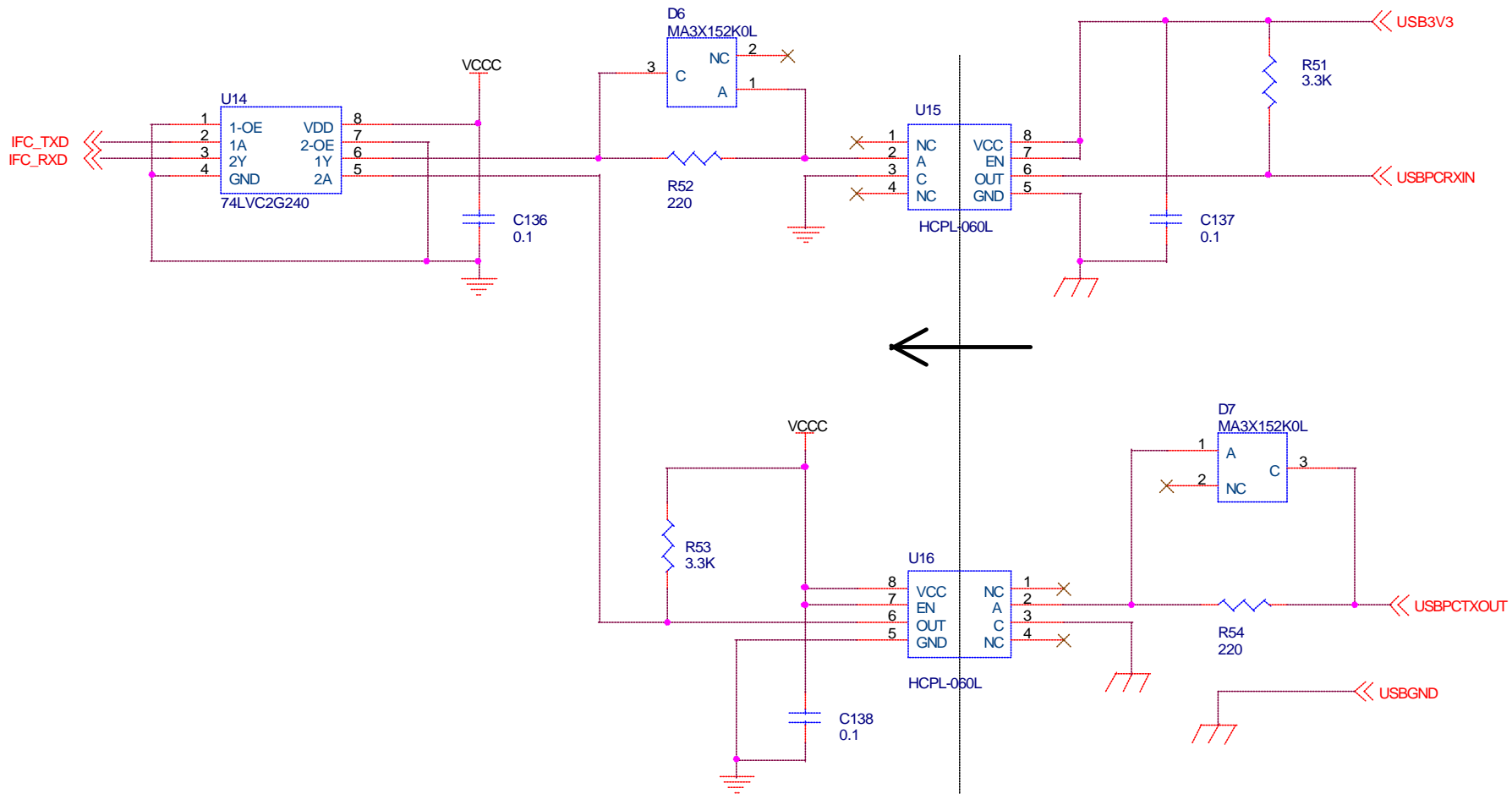


Title		
VPC-DE - [E] VPC IFC Reset Circuit		
Size	Document Number	Rev
A	70-0074	B1.0
Date:	Wednesday, January 06, 2010	Sheet 8 of 18

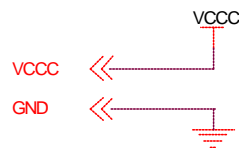


USB POWER/GND Plane

Title		
VPC-DE - [E] VPC IFC PC Loader USB		
Size	Document Number	Rev
A	70-0074	B1.1
Date:	Wednesday, January 06, 2010	Sheet 9 of 18

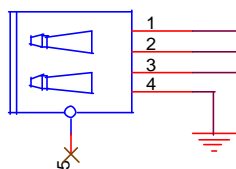


USB POWER/GND Plane

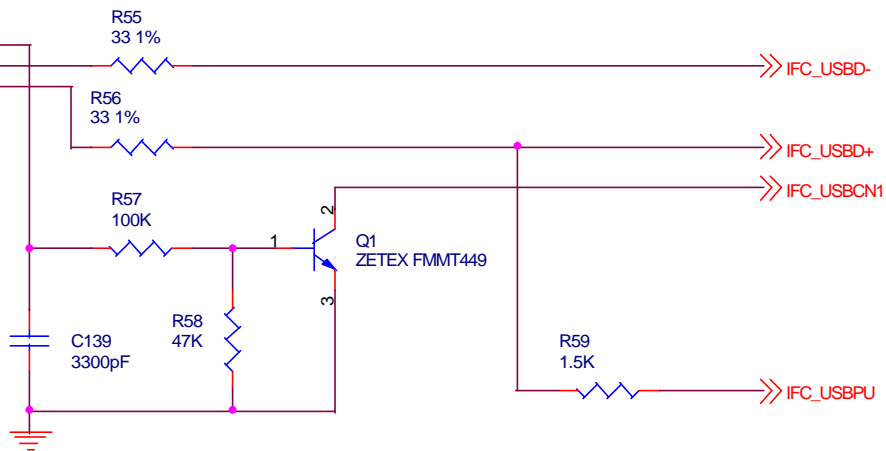


Title		
VPC-DE - [E] VPC IFC PC Loader USB Interface		
Size	Document Number	Rev
A	70-0074	B1.0
Date:	Wednesday, January 06, 2010	Sheet 10 of 18

DEBUG

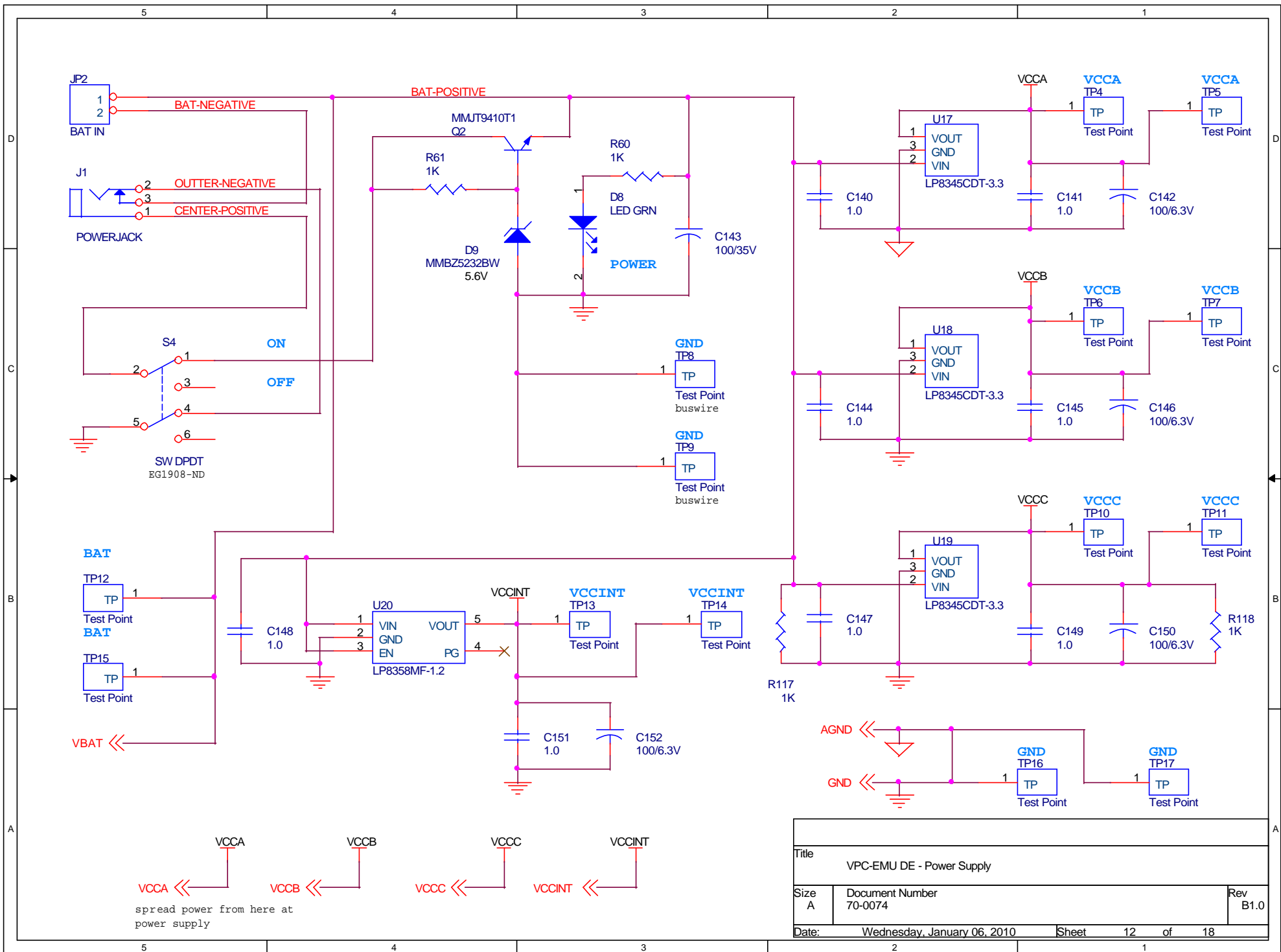


CN7
CN-USB



GND

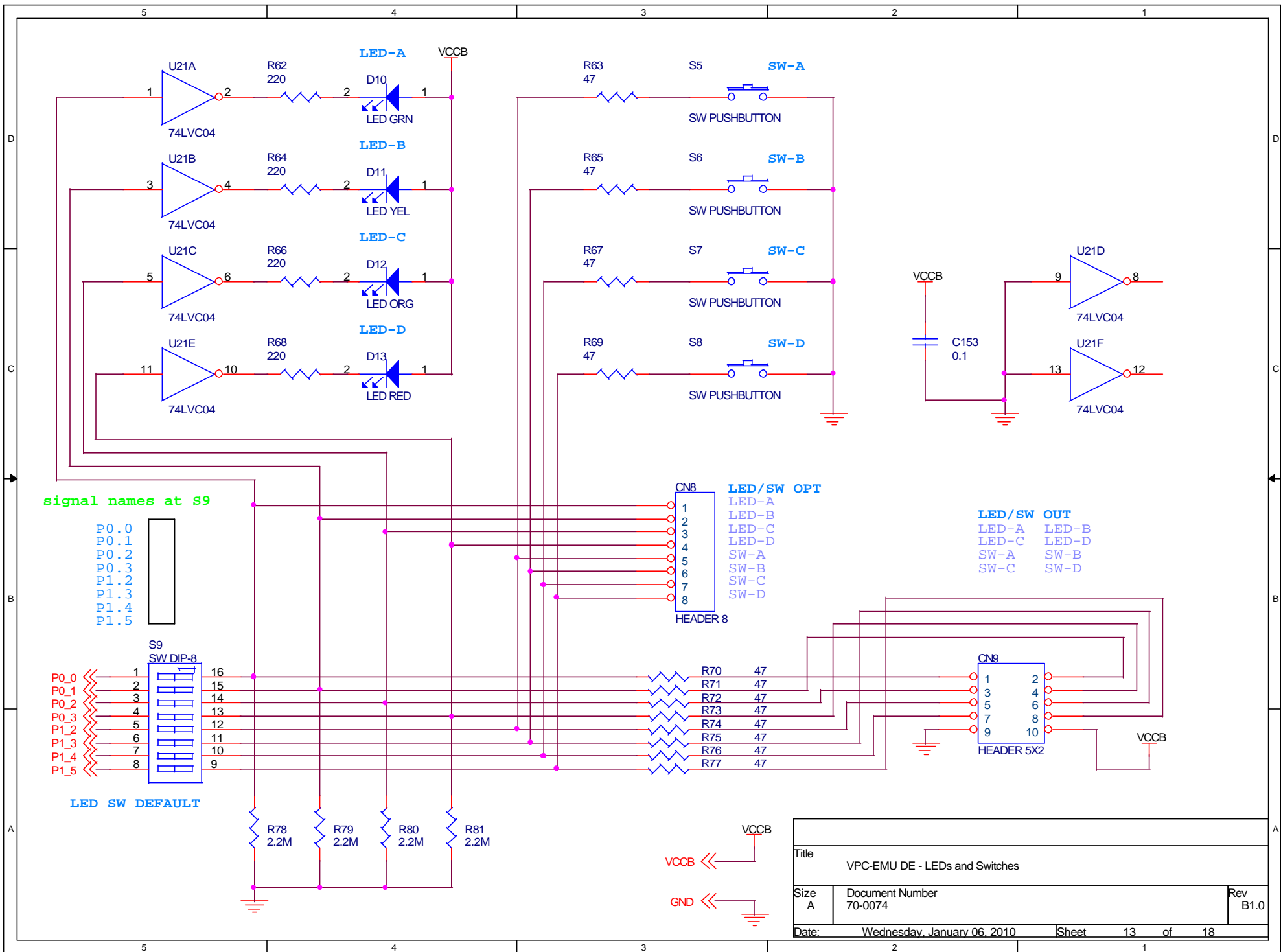
Title VPC-DE - [E] VPC IFC PC Loader USB Alternate Interface		
Size A	Document Number 70-0074	Rev B1.0
Date:	Wednesday, January 06, 2010	Sheet 11 of 18



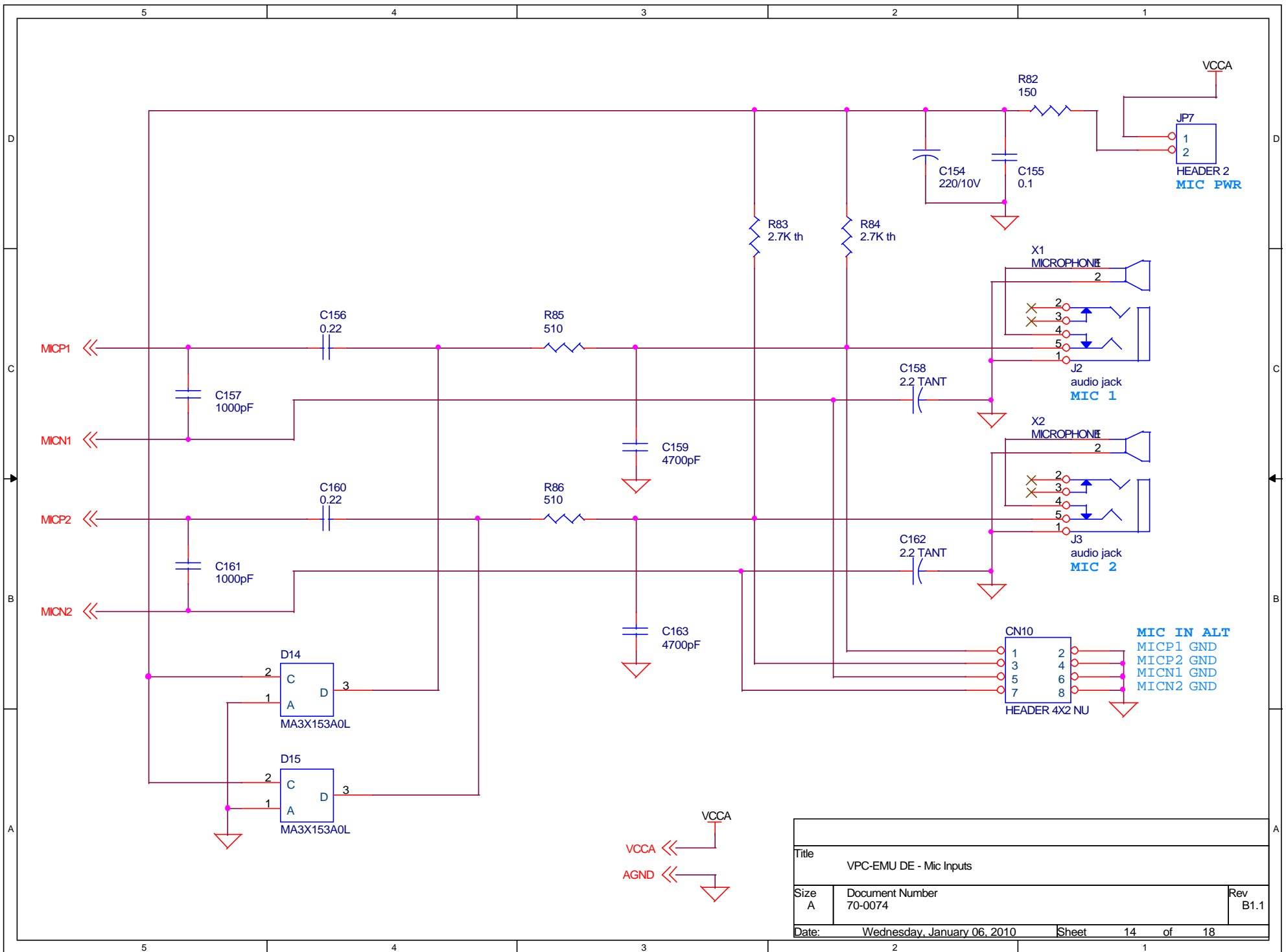
Title: VPC-EMU DE - Power Supply

Size A	Document Number 70-0074	Rev B1.0
--------	----------------------------	-------------

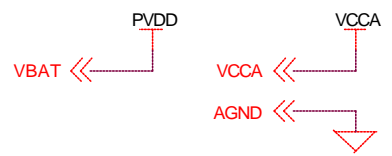
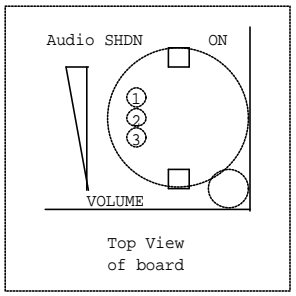
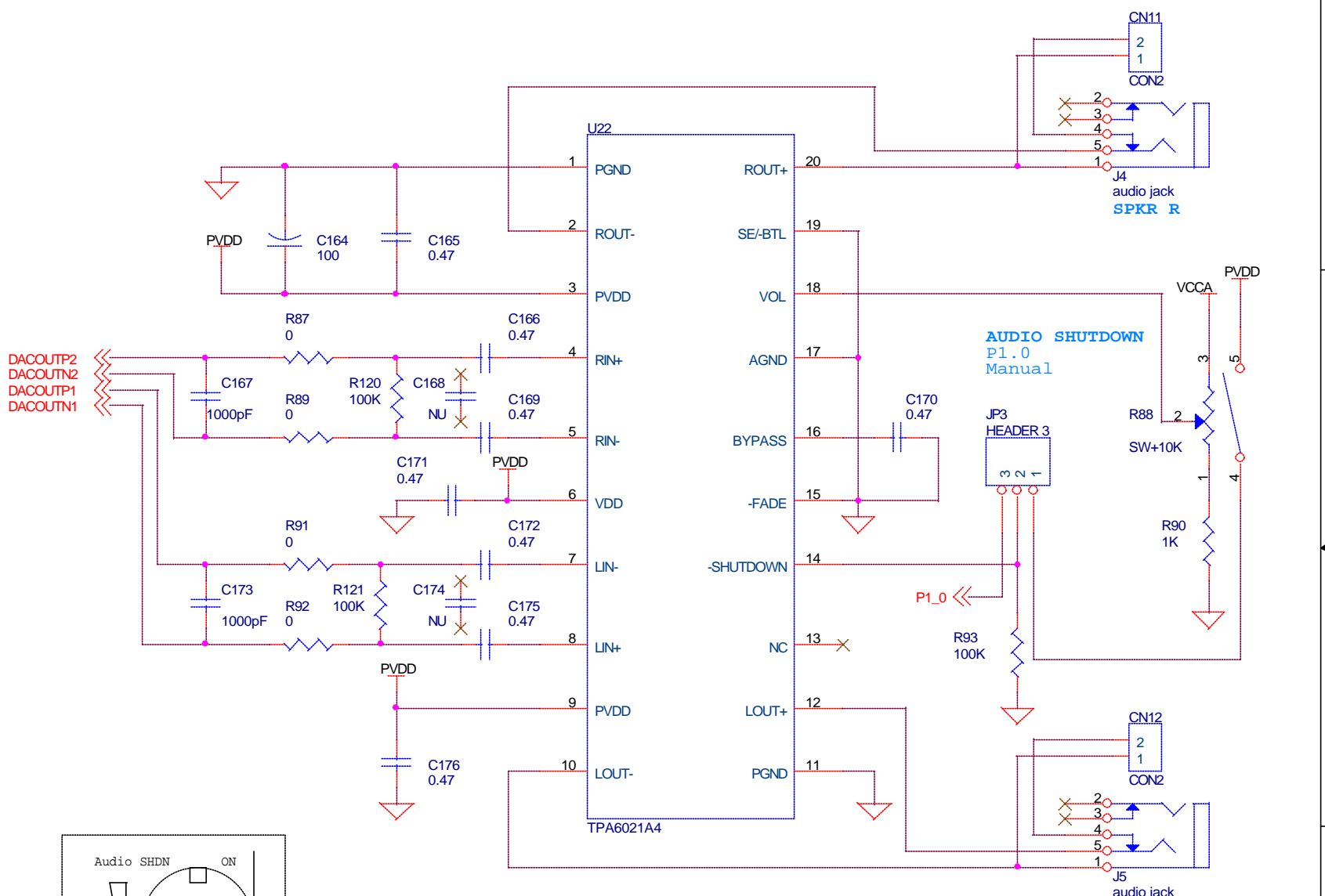
Date: Wednesday, January 06, 2010 Sheet 12 of 18



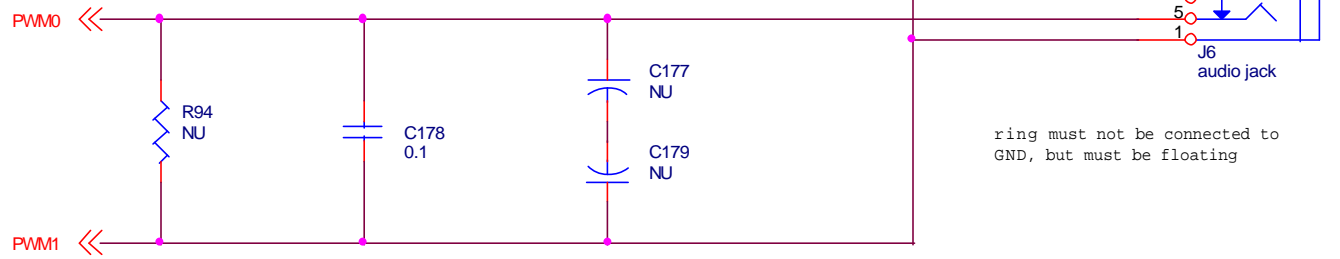
Title		
VPC-EMU DE - LEDs and Switches		
Size	Document Number	Rev
A	70-0074	B1.0
Date:	Wednesday, January 06, 2010	Sheet 13 of 18



Title		
VPC-EMU DE - Mic Inputs		
Size	Document Number	Rev
A	70-0074	B1.1
Date:	Wednesday, January 06, 2010	Sheet 14 of 18



Title		
VPC-EMU DE - Audio Out		
Size A	Document Number 70-0074	Rev B1.0
Date:	Wednesday, January 06, 2010	Sheet 15 of 18

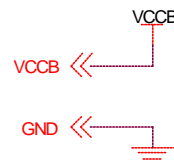
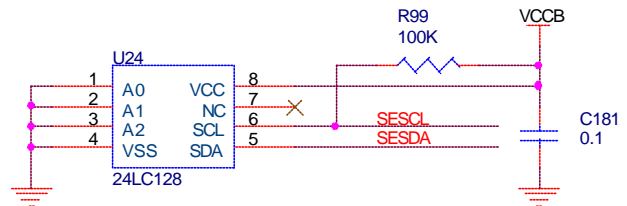
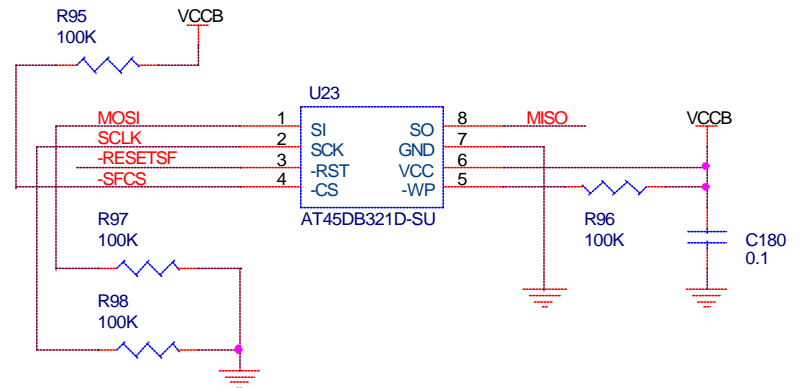
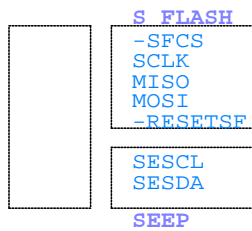
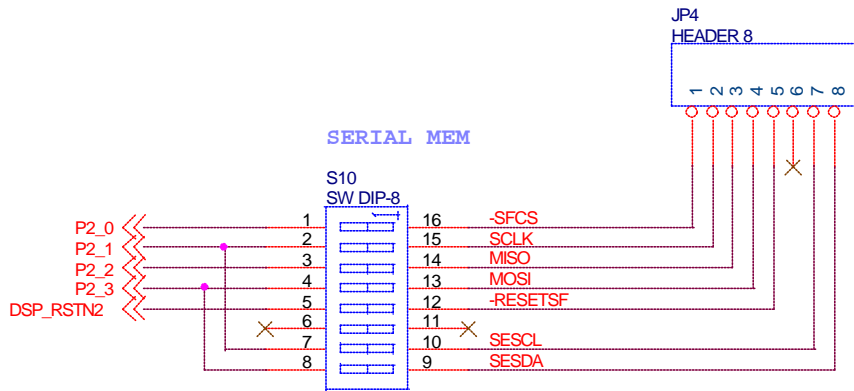


PWM SPEAKER

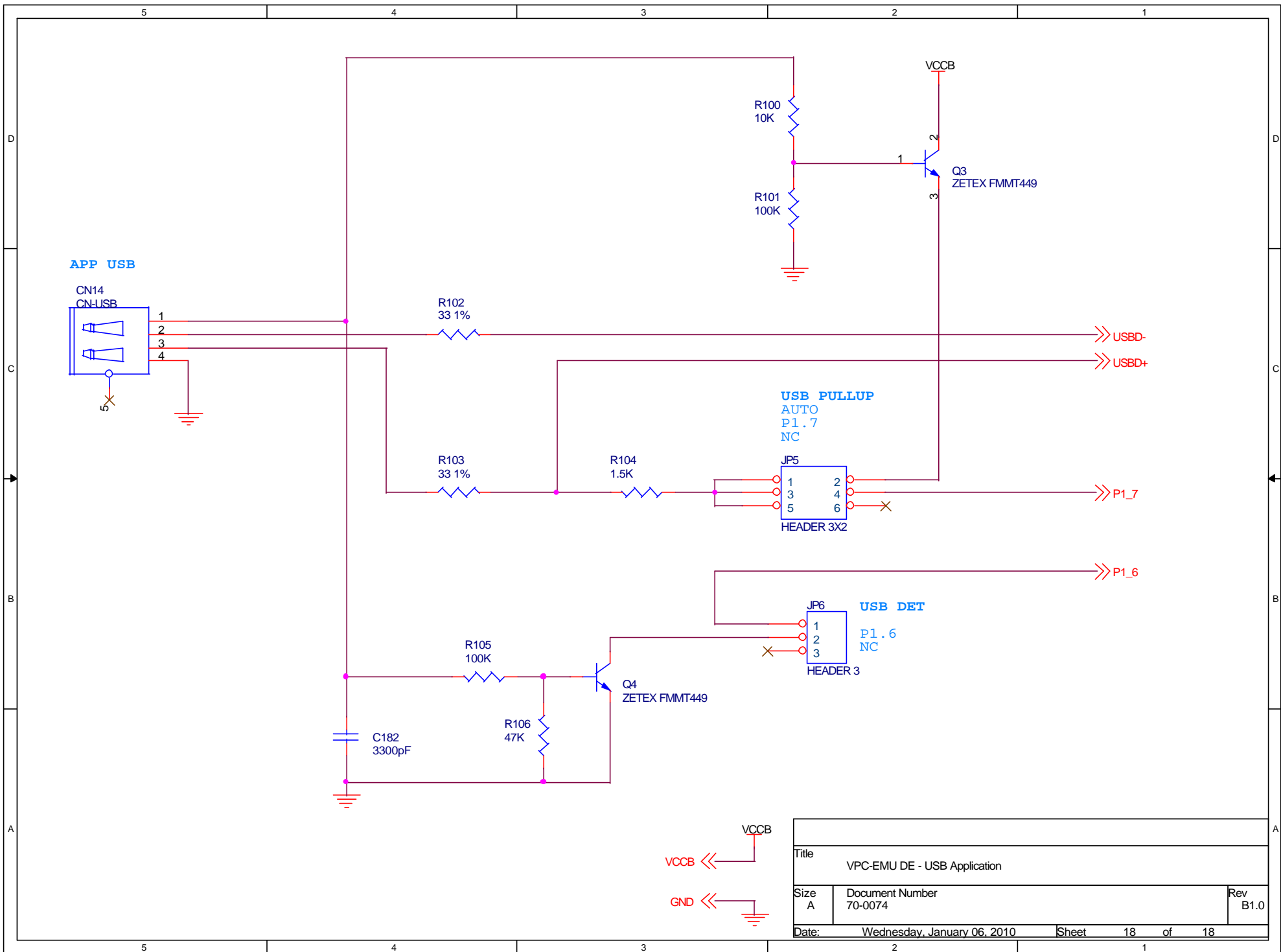
PWM SPEAKER

ring must not be connected to GND, but must be floating

Title		
VPC-EMU DE - PWM Out		
Size	Document Number	Rev
A	70-0074	B1.0
Date:	Wednesday, January 06, 2010	Sheet 16 of 18



Title		
VPC-EMU DE - Serial Memory		
Size	Document Number	Rev
A	70-0074	B1.0
Date:	Wednesday, January 06, 2010	Sheet 17 of 18



Title VPC-EMU DE - USB Application		
Size A	Document Number 70-0074	Rev B1.0
Date: Wednesday, January 06, 2010	Sheet 18	of 18