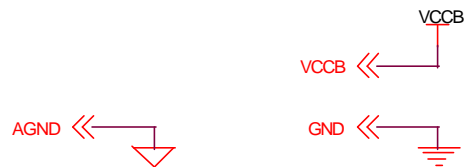
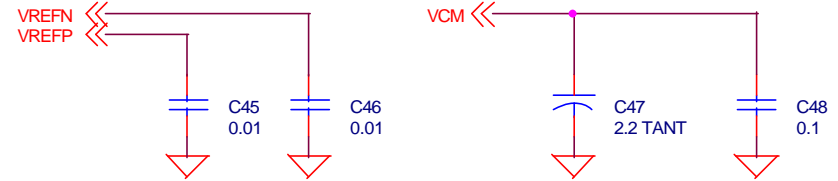
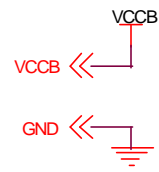
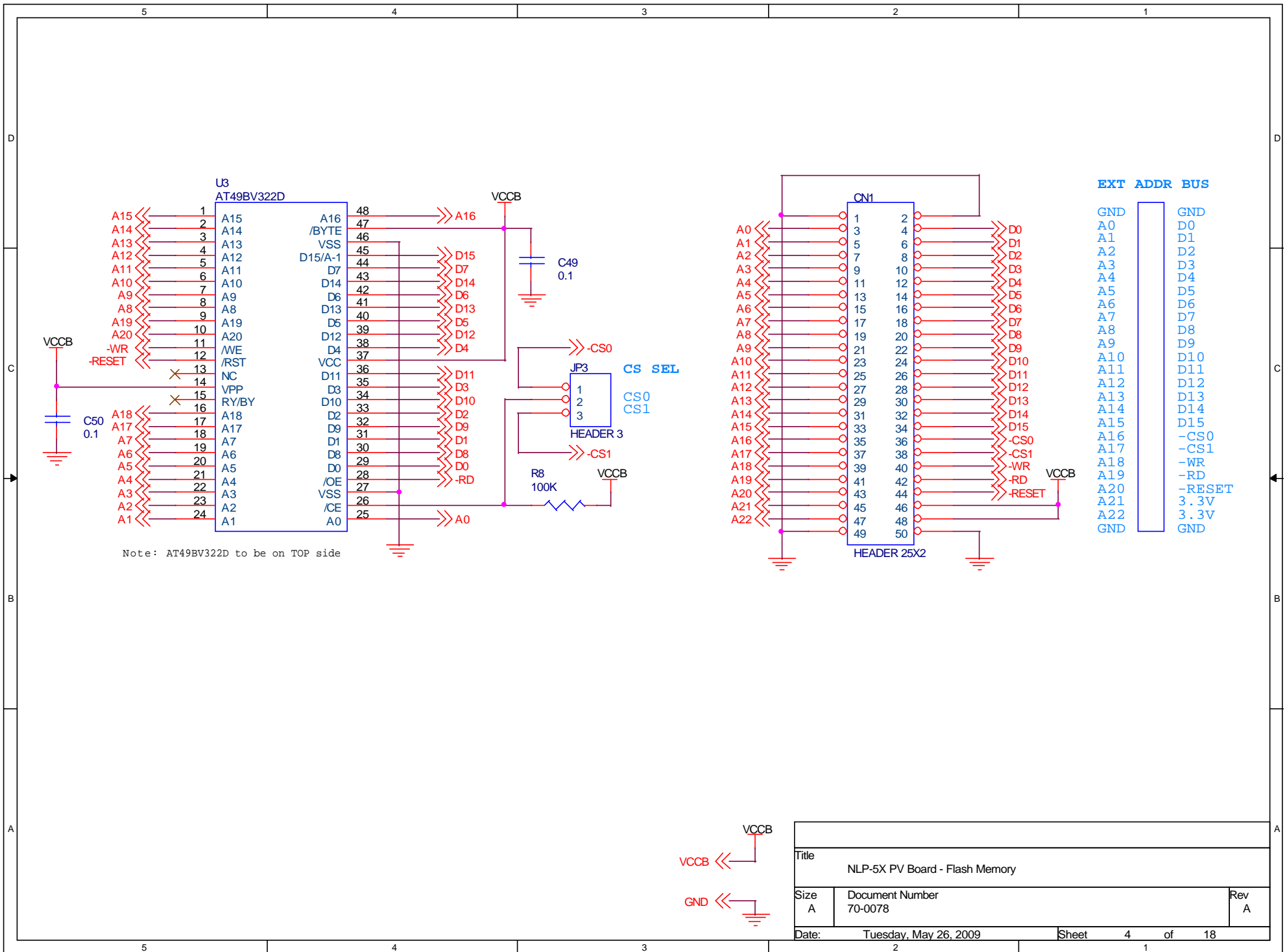


Place these components between 2 VPC ICs (U1 and U2) as close as possible, except for S1

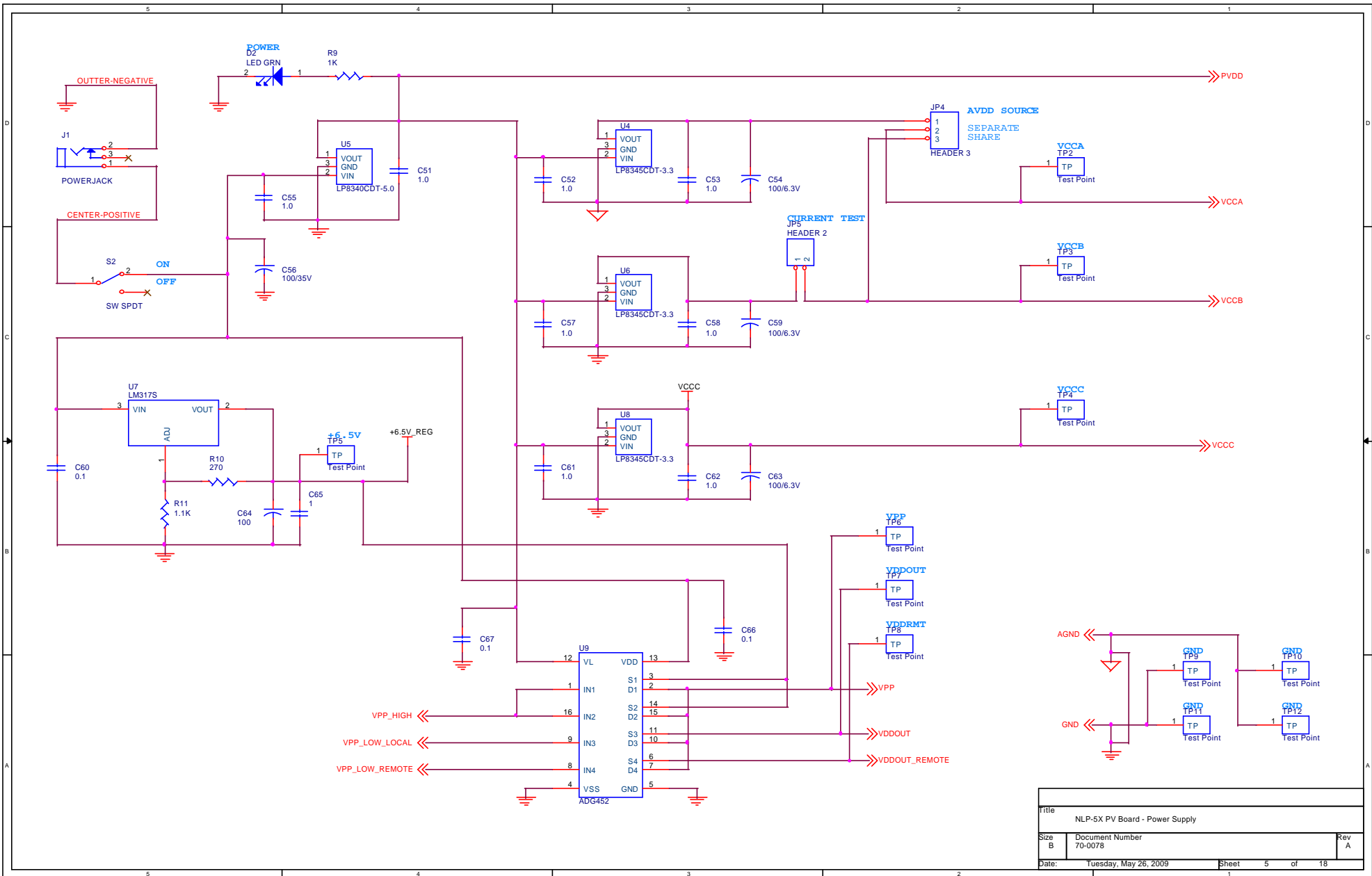


Title		
NLP-5X PV Board - Filter Caps, etc.		
Size	Document Number	Rev
A	70-0078	A
Date:	Tuesday, May 26, 2009	Sheet 3 of 18



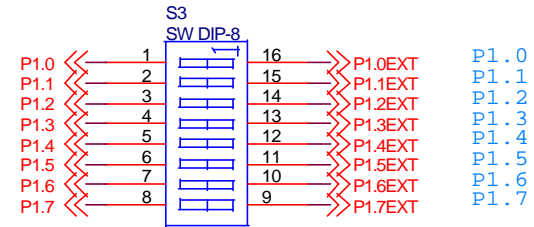
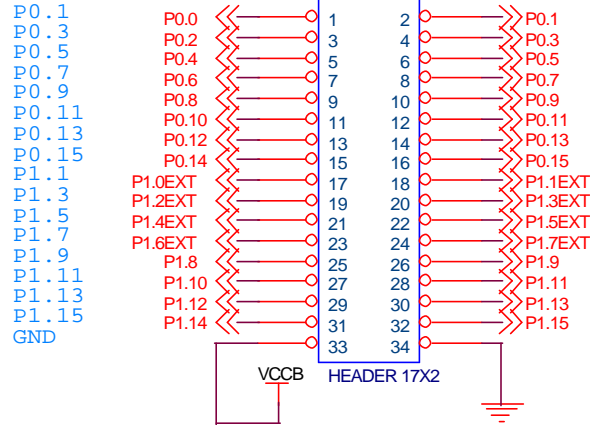
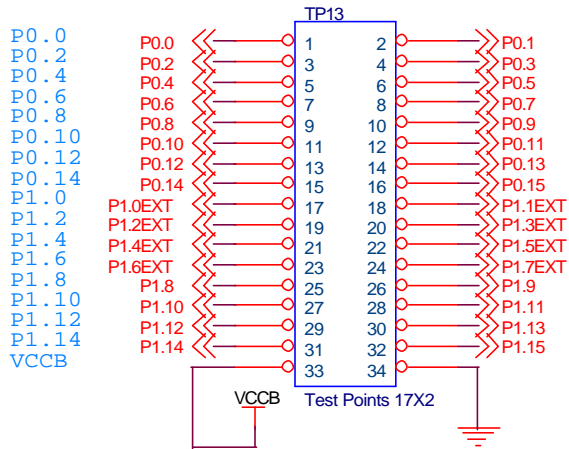
Title		
NLP-5X PV Board - Flash Memory		
Size A	Document Number 70-0078	Rev A
Date:	Tuesday, May 26, 2009	Sheet 4 of 18

Note: AT49BV322D to be on TOP side

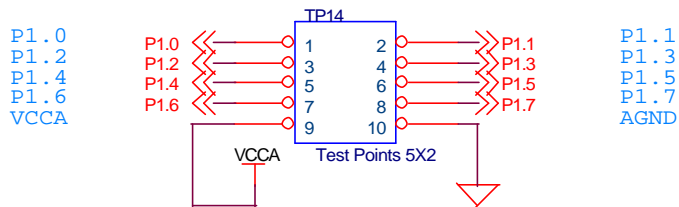


Title		
NLP-5X PV Board - Power Supply		
Size	Document Number	Rev
B	70-0078	A
Date:	Tuesday, May 26, 2009	Sheet 5 of 18

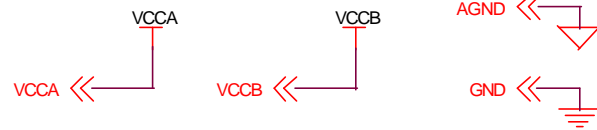
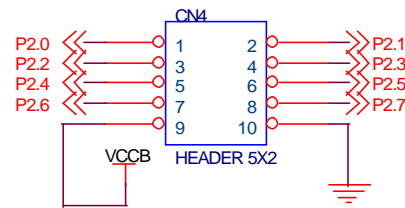
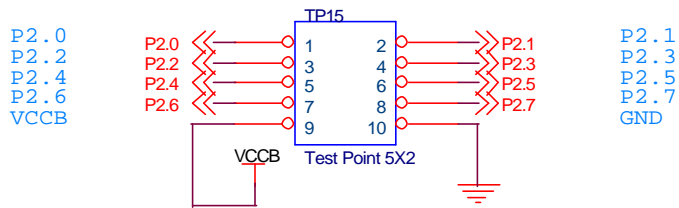
IO TEST POINT



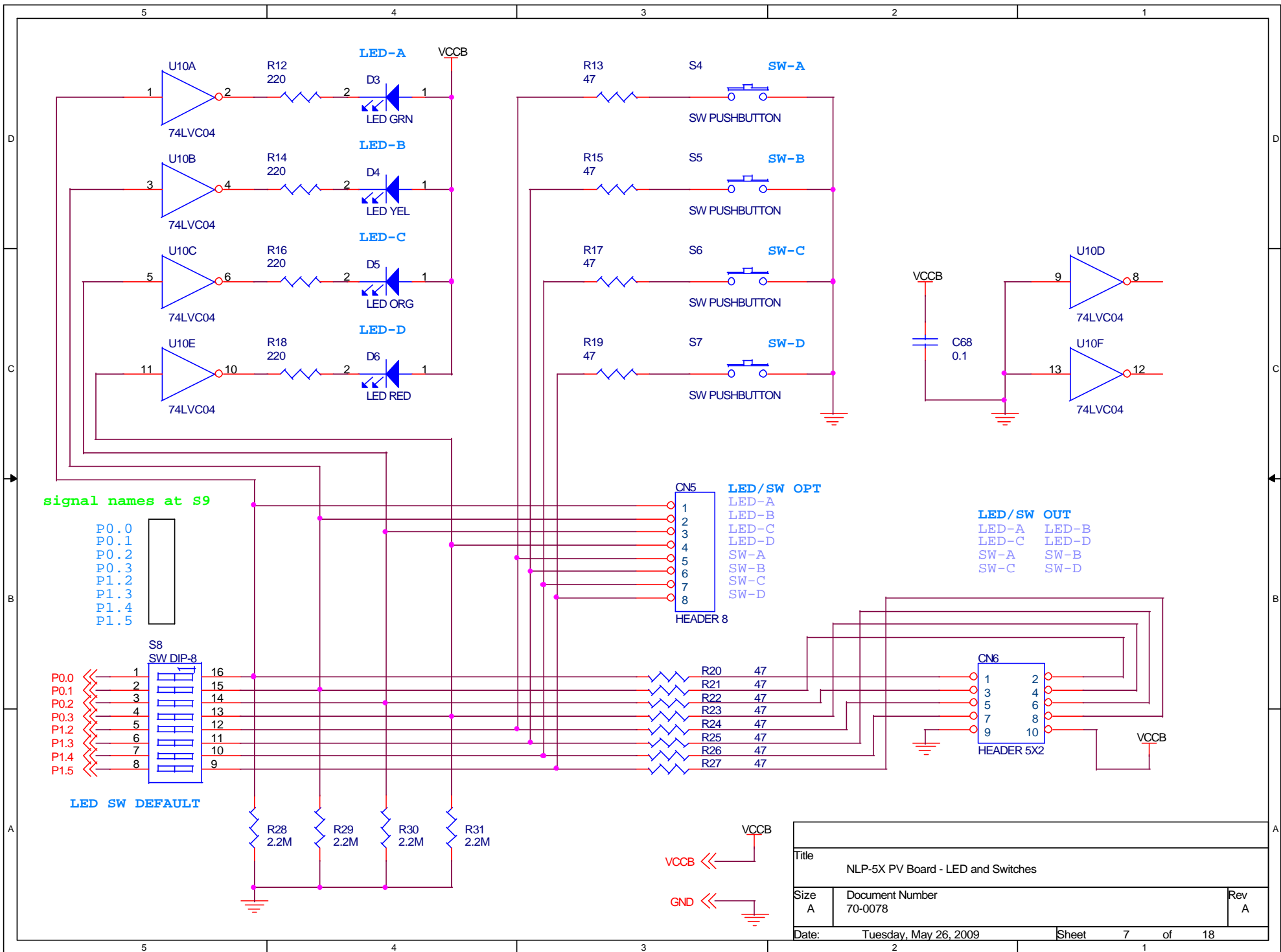
ANALOG IO TEST POINT



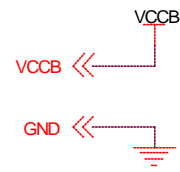
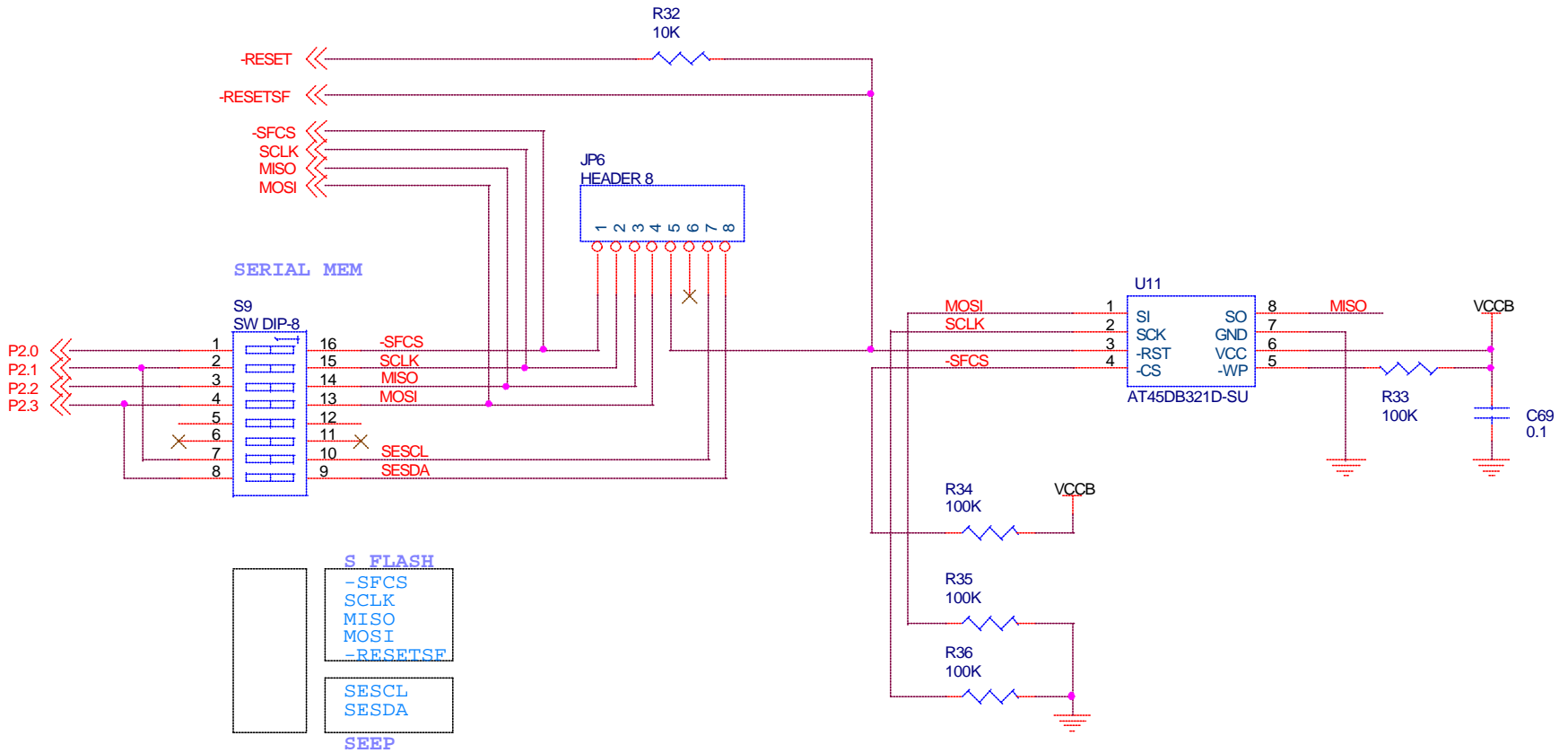
IO TEST POINT



Title		
NLP-5X PV Board - I/O and Test Points		
Size	Document Number	Rev
A	70-0078	A
Date:	Tuesday, May 26, 2009	Sheet 6 of 18



Title		
NLP-5X PV Board - LED and Switches		
Size	Document Number	Rev
A	70-0078	A
Date:	Tuesday, May 26, 2009	Sheet 7 of 18



Title		
NLP-5X PV Board - Serial Memory ICs		
Size	Document Number	Rev
A	70-0078	A
Date:	Tuesday, May 26, 2009	Sheet 8 of 18

5 4 3 2 1

D

D

C

C

B

B

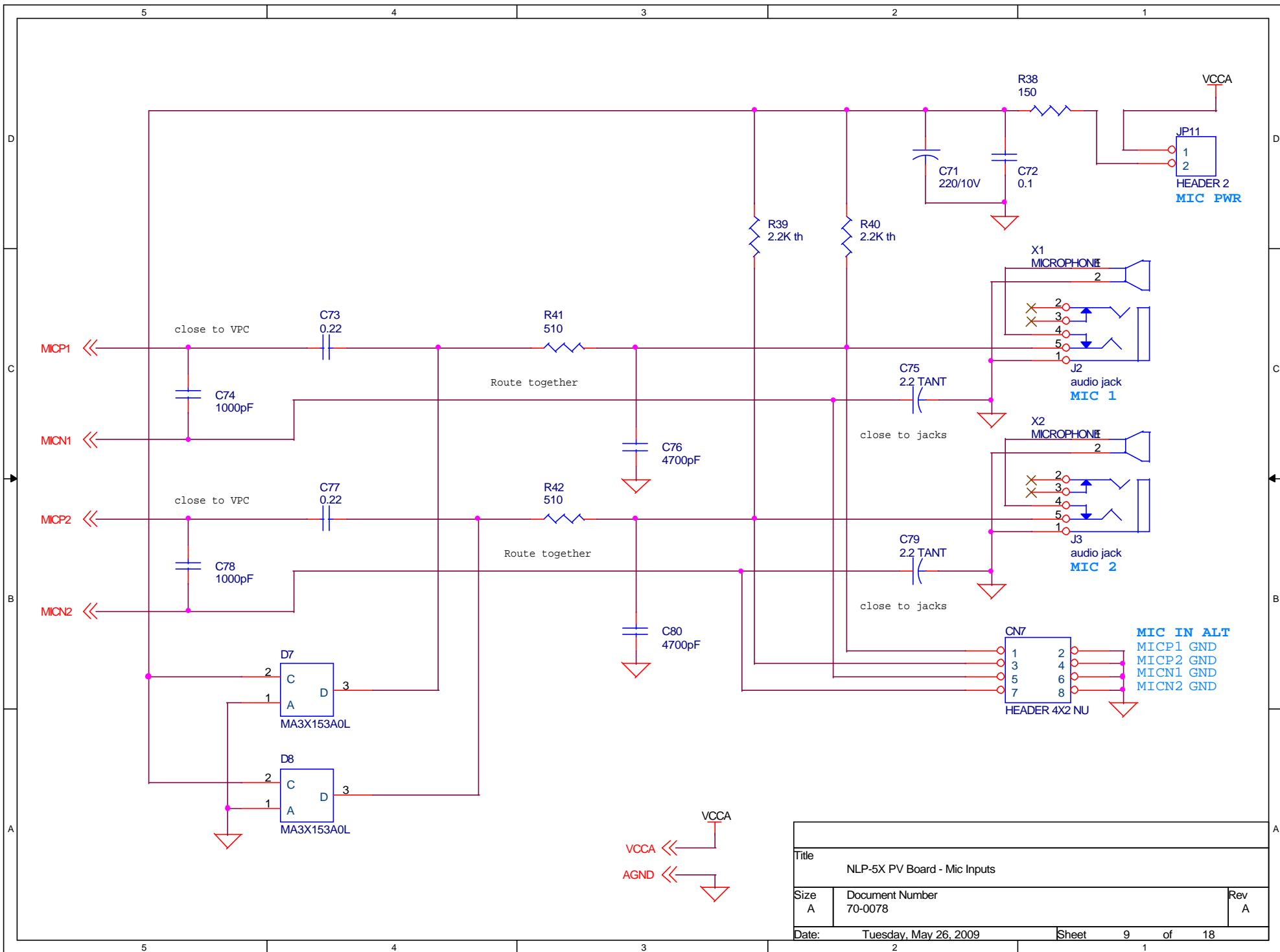
A

A

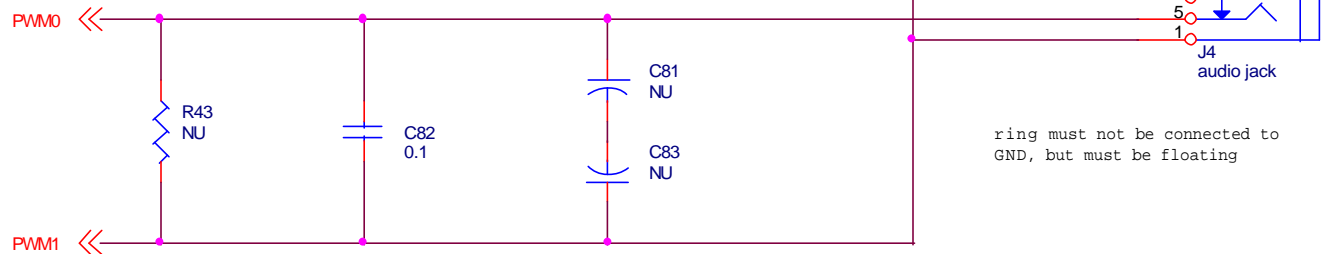
5 4 3 2 1

2

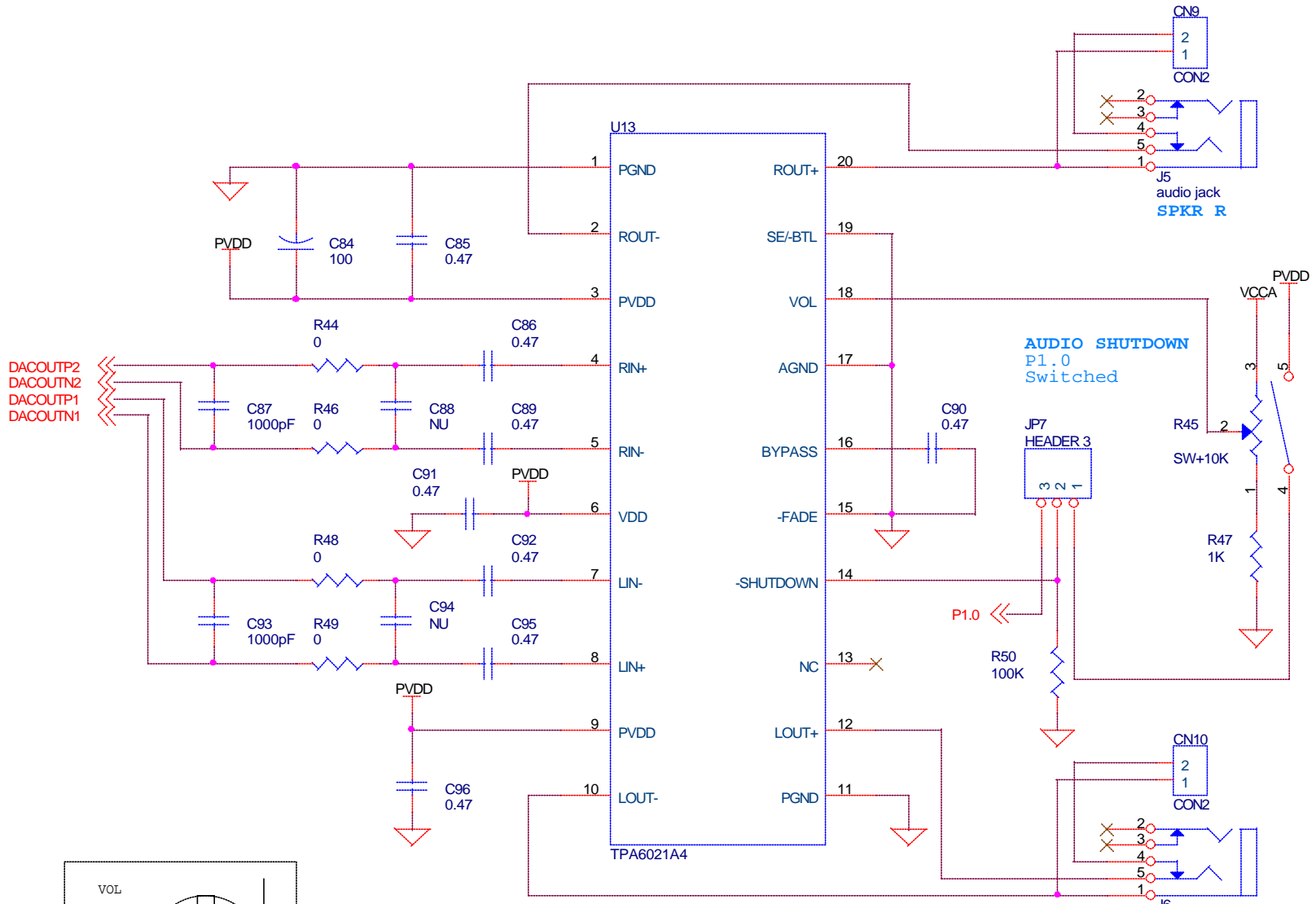
1



Title		
NLP-5X PV Board - Mic Inputs		
Size	Document Number	Rev
A	70-0078	A
Date:	Tuesday, May 26, 2009	Sheet 9 of 18

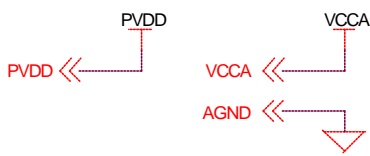
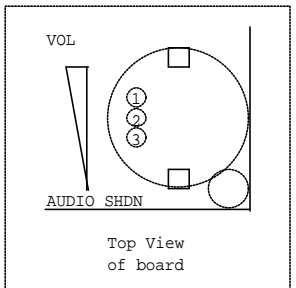


Title		
NLP-5X PV Board - PWM Outputs		
Size	Document Number	Rev
A	70-0078	A
Date:	Tuesday, May 26, 2009	Sheet 10 of 18
	2	1

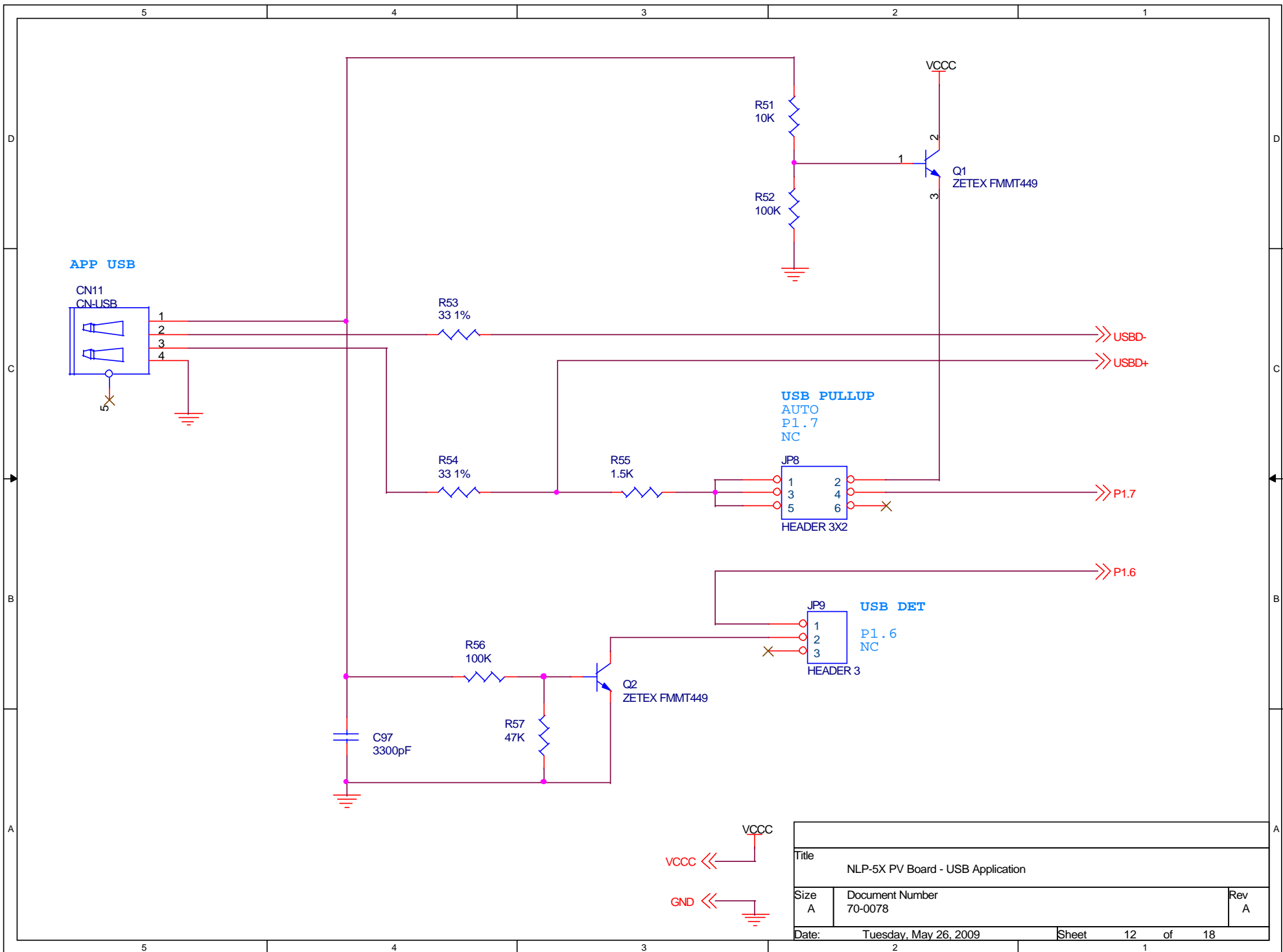


DACOUTP2
DACOUTN2
DACOUTP1
DACOUTN1

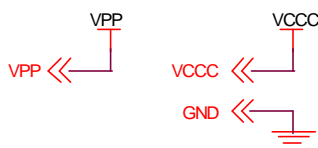
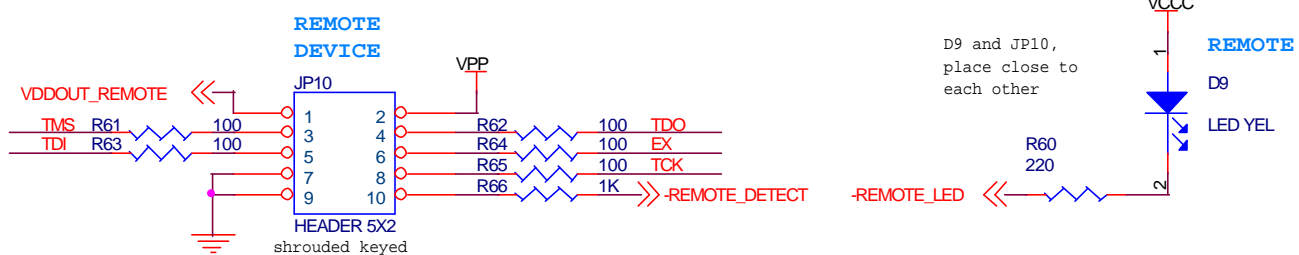
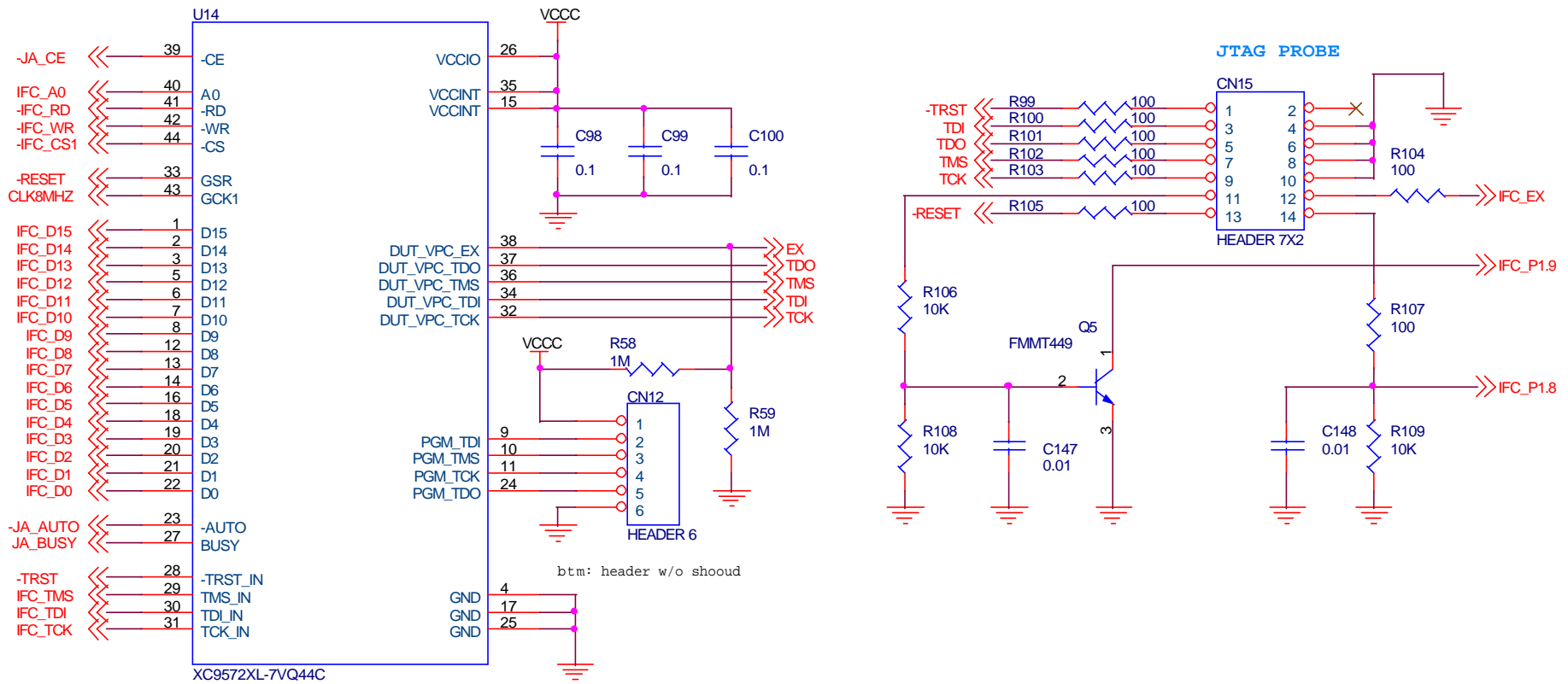
AUDIO SHUTDOWN
P1.0
Switched



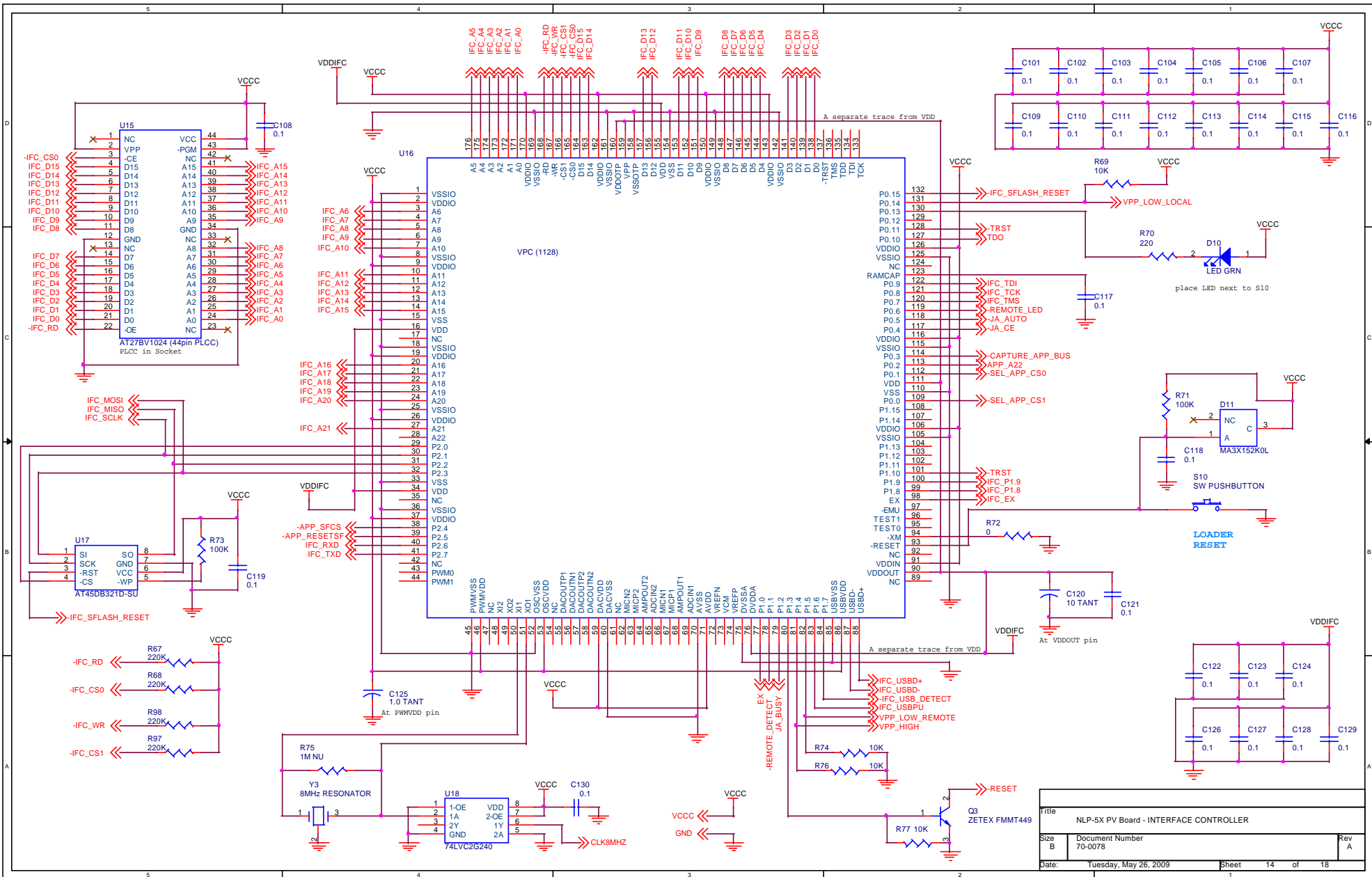
Title		
NLP-5X PV Board - DAC Outputs		
Size A	Document Number 70-0078	Rev A
Date:	Tuesday, May 26, 2009	Sheet 11 of 18



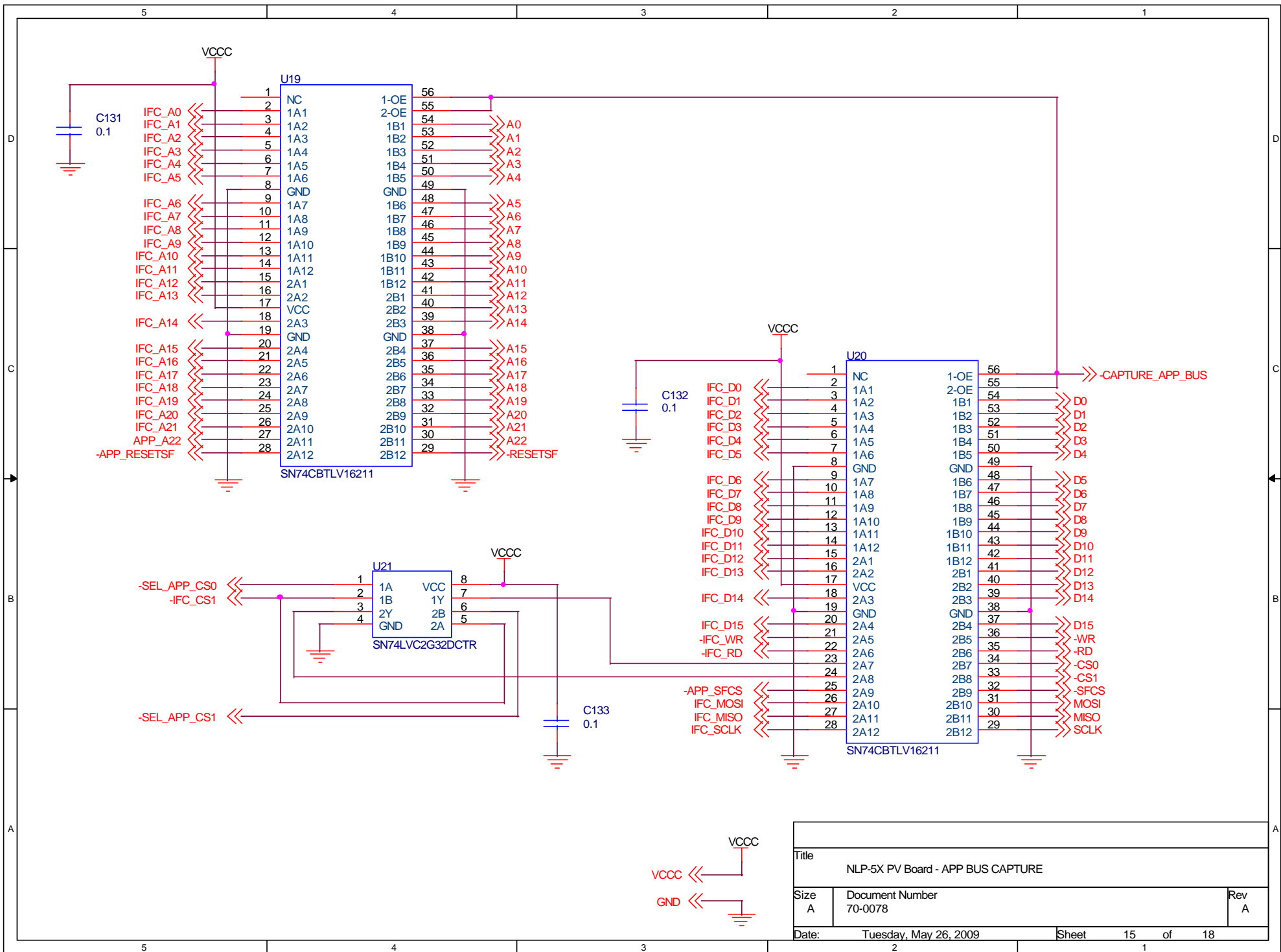
Title		
NLP-5X PV Board - USB Application		
Size A	Document Number 70-0078	Rev A
Date:	Tuesday, May 26, 2009	Sheet 12 of 18



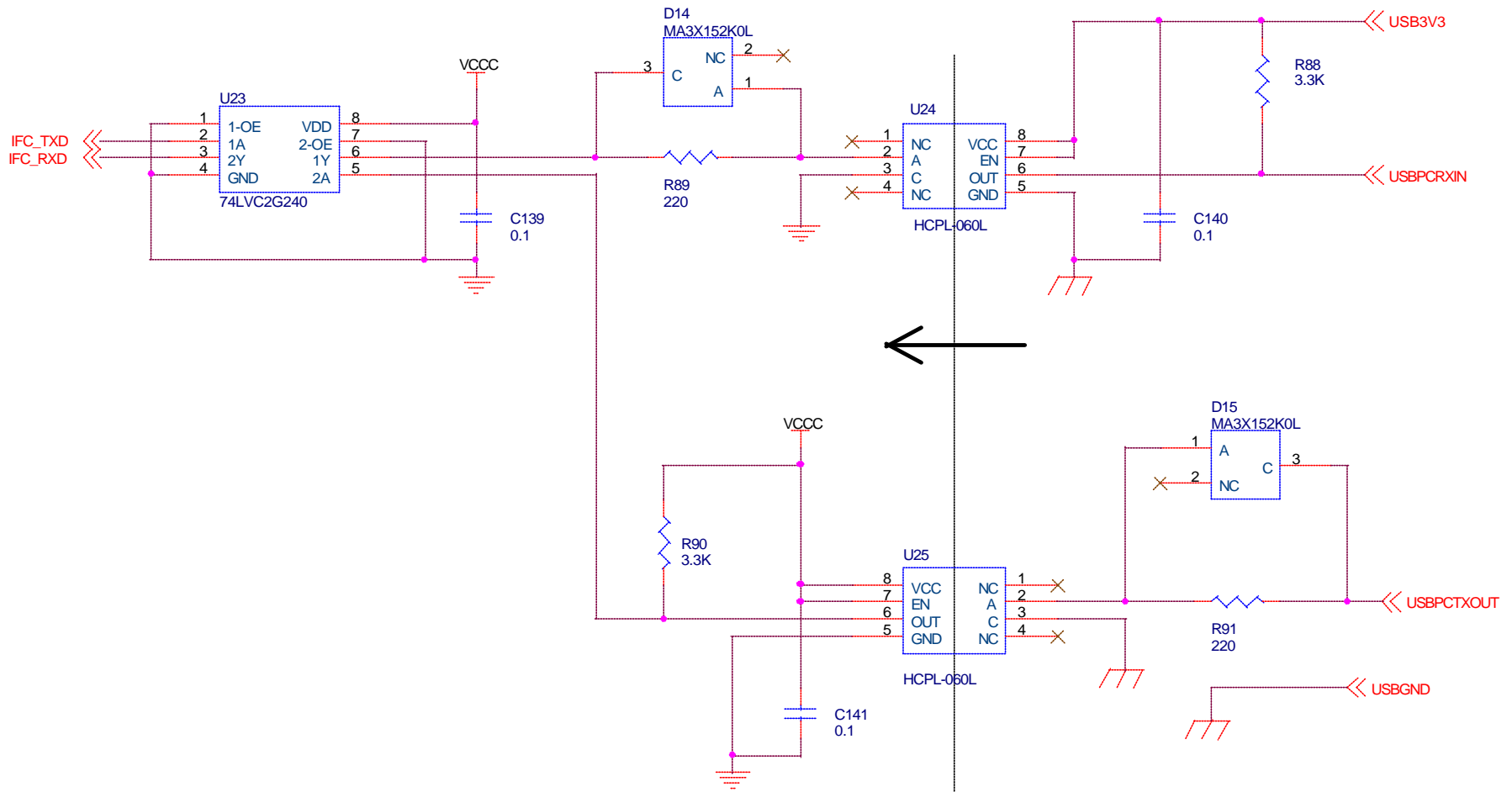
Title		
NLP-5X PV Board - Accelerator		
Size A	Document Number	Rev A
	70-0078	
Date:	Tuesday, May 26, 2009	Sheet 13 of 18
	2	1



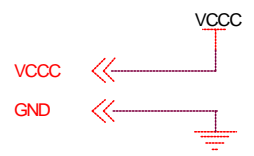
Title		
NLP-5X PV Board - INTERFACE CONTROLLER		
Size	Document Number	Rev
B	70-0078	A
Date:	Tuesday, May 26, 2009	Sheet 14 of 18



Title		
NLP-5X PV Board - APP BUS CAPTURE		
Size	Document Number	Rev
A	70-0078	A
Date:	Tuesday, May 26, 2009	Sheet 15 of 18

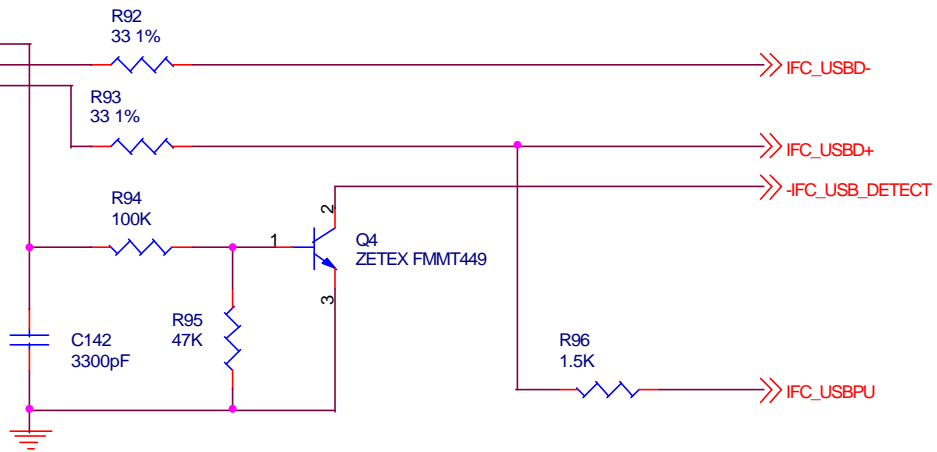
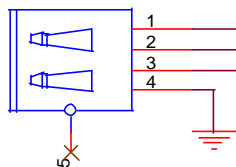


USB POWER/GND Plane



Title		
NLP-5X PV Board - USB PC Loader 2		
Size	Document Number	Rev
A	70-0078	A
Date:	Tuesday, May 26, 2009	Sheet 17 of 18
		1

DEBUG



GND

Title		
NLP-5X PV Board - USB Debug		
Size A	Document Number 70-0078	Rev A
Date:	Tuesday, May 26, 2009	Sheet 18 of 18

5

4

3

2

1

D

D

C

C

B

B

A

A

5

4

3

2

1